



REQUEST FOR QUOTATION

Date: _____
Quotation #: _____

Name of Company _____

Address _____

TIN _____

Please quote your lowest price inclusive of taxes in the items/s listed, subject to the General Conditions below, stating the shortest time of delivery. Submit your quotation duly signed by your representative not later than 3 days upon receipt in sealed envelope marked with the reference no. (PR 23.08.5P333)

[Signature] 2/8/23
JOHANN M. CONCON
Chairman, Bids and Awards Committee

ITEM NO.	ITEM & DESCRIPTION	UNIT	QUANTITY	UNIT COST	TOTAL COST
1	Procurement of Labor and Materials for the Construction of Duck House	unit	13		
	Location:				
	1. Brgy. Buena Gracia, Talacogon, Agusan del Sur	unit	6		
	2. Brgy. Zillovia, Talacogon, Agusan del Sur	unit	5		
	3. Brgy. Labnig, Talacogon, Agusan del Sur	unit	2		
	(See attached POW and DED)				
	Note:				
	<i>In reference to the Practice of Professional Agricultural Engineers, pursuant to RA 10915, all plans, designs, drawings, estimates, specifications, and other documents related to agriculture both public and private, shall be signed, stamped and sealed by Agricultural and Biosystems Engineers</i>				

ABC: 650,000 -

Source of fund: BP2 CY 2022 Continuing Fund

General Conditions:

- All entries must be typewritten/printed in ink.
- Delivery period within _____ calendar days based on the contract.
- Warranty shall be for a period of six (6) months for supplies & materials, one (1) year for equipment from date of acceptance by procuring entity.
- Price validity shall be for a period of _____ calendar days
- PhilGEPS Registration Certificate, Business Permit, DTI Certificate and Tax Registration Certificate shall be attached upon submission of the quotation, if applicable.
- Bidders shall submit original brochures showing specification of the products being offered.
- Winning bidder(s) from outside Butuan City must appear personally or sent authorized representative to signed contract and claimed payments.

After having carefully read and accepted your General Conditions, I/We quote on the item at prices noted above.

Printed Name/Signature of Company _____

Name and Signature of Convasser _____

Tel. No. / CP No. / email address _____




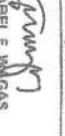
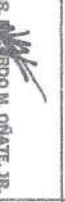
DEPARTMENT OF AGRICULTURE - CARAGA

Capitol Site, Butuan City

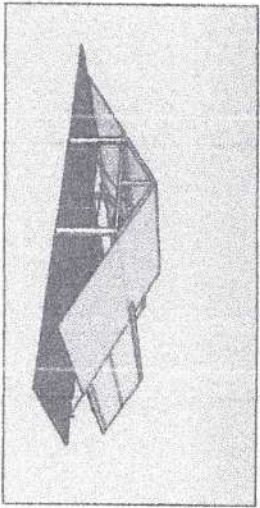


CONSTRUCTION OF DUCK HOUSE
Talacogon, Agusan del Sur

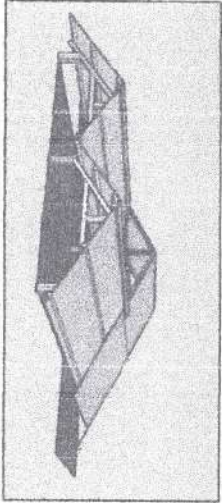
Item No.	Description	Quantity	Unit
B.5	Project Billboard/Signboard	1	each
900(8)	Structural Concrete	0.3	cu.m
902(1)a	Reinforcing Steel (Deformed), Grade 40	34	kg
103	Carpentry & Joinery Works	209	bd.ft
1014(1)b1	Galvalume Corrugated Sheet, Gauge 24 x 3 m	12	sheet

Project Title:	Prepared by:	Checked & Reviewed by:	Submitted by:	Noted:	Recommending approval:	Approved:	Sheet no.
CONSTRUCTION OF DUCK HOUSE	 MARK LOYE C. BACALISO COS - AMA Project	 THESSA LYN B. LIMAS Engineer III	 RHINE O. MORALES Chief, EAED	 FLORENTE D. ROSALES OIC, Research Division	 ABEL F. WANGAS RTD for Research & Regulations	 ENGR. RODOLFO M. ONATE, JR. National Executive Director	1

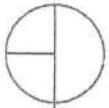
NOTE:
ALL DIMENSION ARE IN METER
UNLESS OTHERWISE SPECIFIED



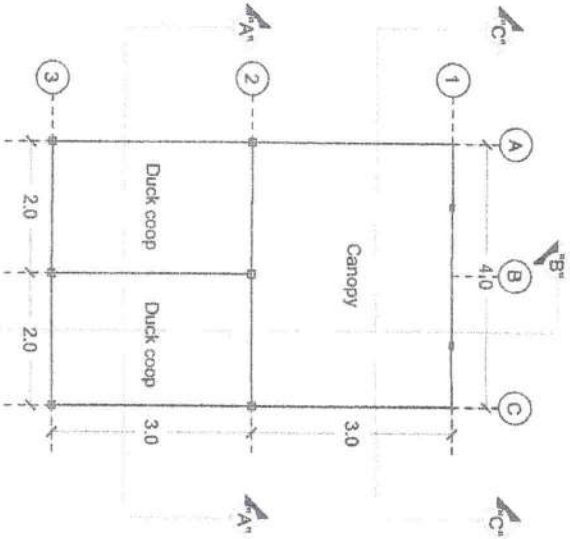
FRONT VIEW



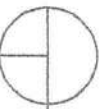
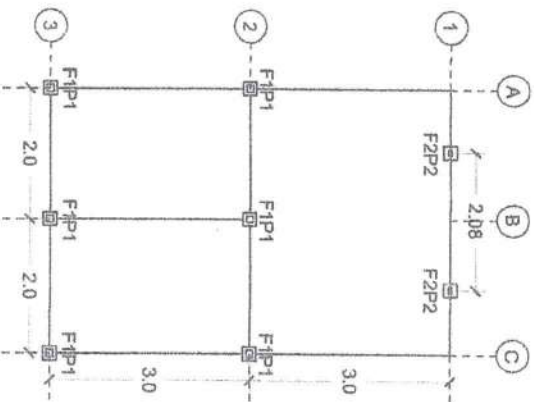
REAR VIEW








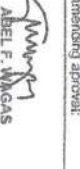


PERSPECTIVE VIEW
DRAWN NOT SCALE



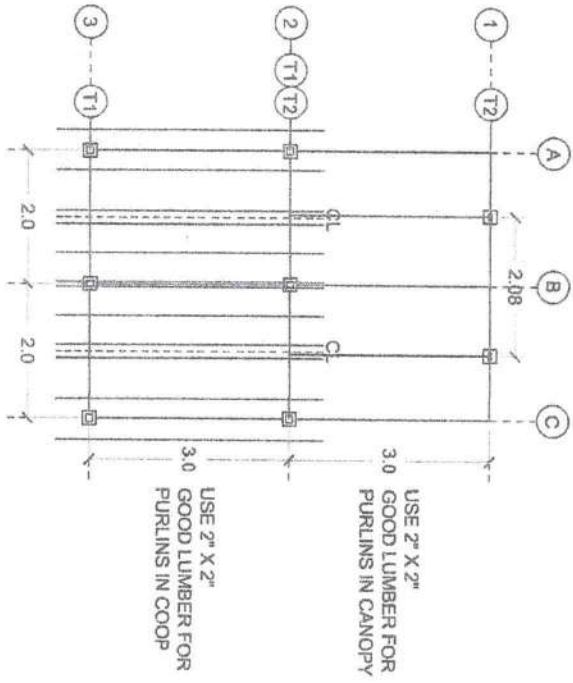
FLOOR PLAN
SCALE: 1:80 M



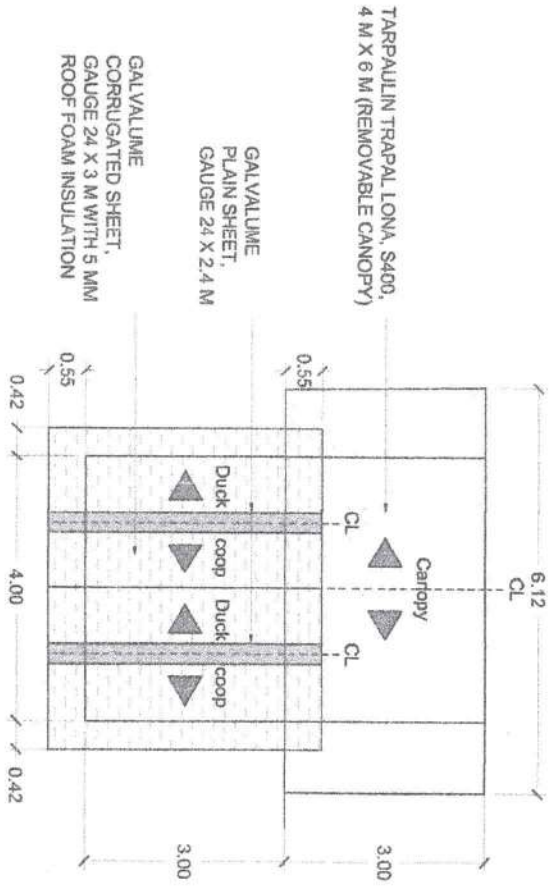
FOUNDATION PLAN
SCALE: 1:80 M

 Republic of the Philippines DEPARTMENT OF AGRICULTURE RFO XIII, Capitol Site, Bataan City	Project Title:	Prepared by:	Checked & Reviewed by:	Submitted by:	Noted:	Recommending approval:	Approved:	Sheet no.
	CONSTRUCTION OF DUCK HOUSE Location: Talisayon, ADS:	 MARK LOUIE C. BACALSO COS - ADMA Project	 THESSA LYN B. LIMAS Engineer III	 RENE O. MORALES Chief, RAED	 FLORITES Y. ROSALES OIC, Research Division	 ABEL F. WIGGINS RTD for Research & Regulations	 ENGR. RICARDO M. ONATE, JR. Regional Executive Director	 1 2


NOTE:
ALL DIMENSION ARE IN METER
UNLESS OTHERWISE SPECIFIED

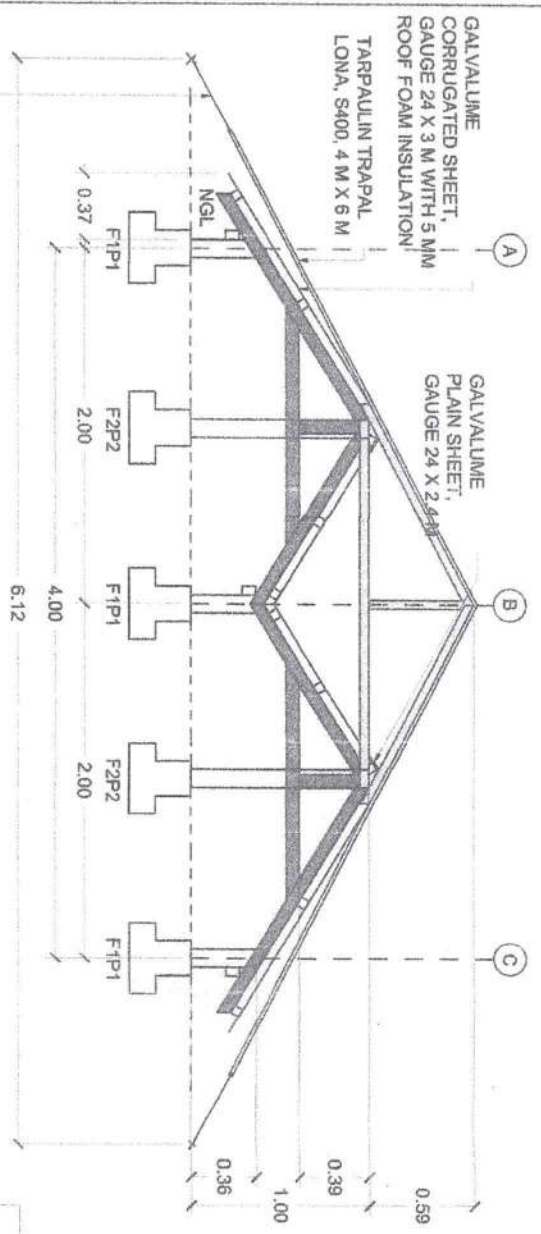


ROOF FRAMING PLAN
SCALE: 1:80 M

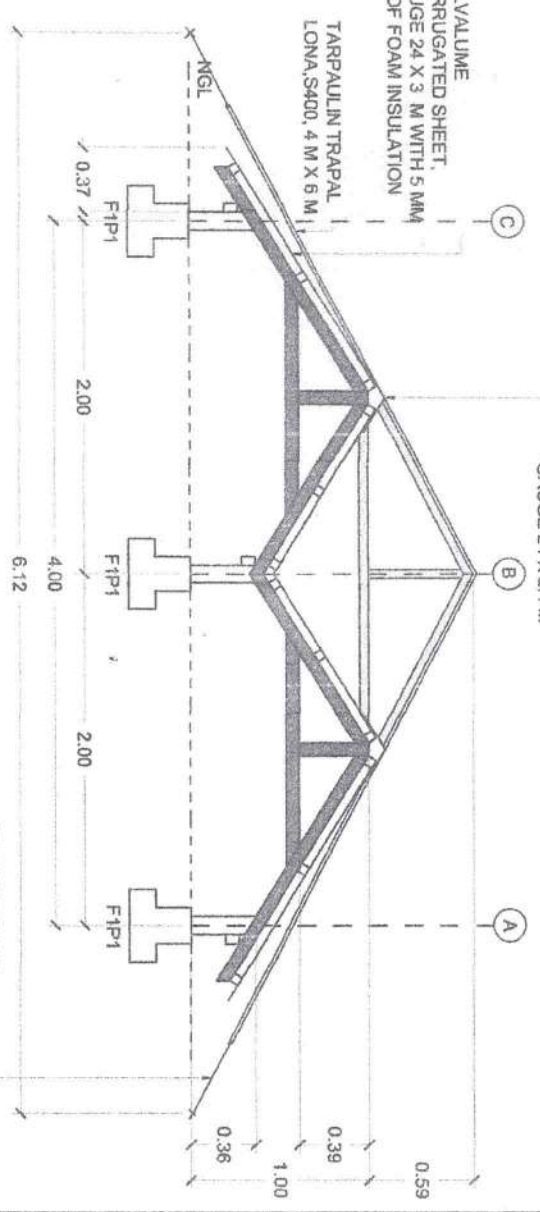


ROOF PLAN
SCALE: 1:80 M

 <p>Republic of the Philippines DEPARTMENT OF AGRICULTURE RFO XIII, Capitol Site, Bulacan City</p>	Project Title:	Prepared by:	Checked & Reviewed by:	Submitted by:	Noted:	Recommending approval:	Approved:	Sheet no.
	CONSTRUCTION OF DUCK HOUSE Location: Talatogon, ADSI	MARK LOUIS C. BACALSO COS - Admin Project	THESSA LYN B. LIMAS Engineer III	RENE D. MORALES Chief, RAED	FLORENTE J. ROSALES OIC, Research Division	ABEL F. WINGAS RTD for Research & Regulations	ENGR. CARDO M. ONATE, JR. Regional Executive Director	2 8










FRONT ELEVATION
SCALE: 1:30 M



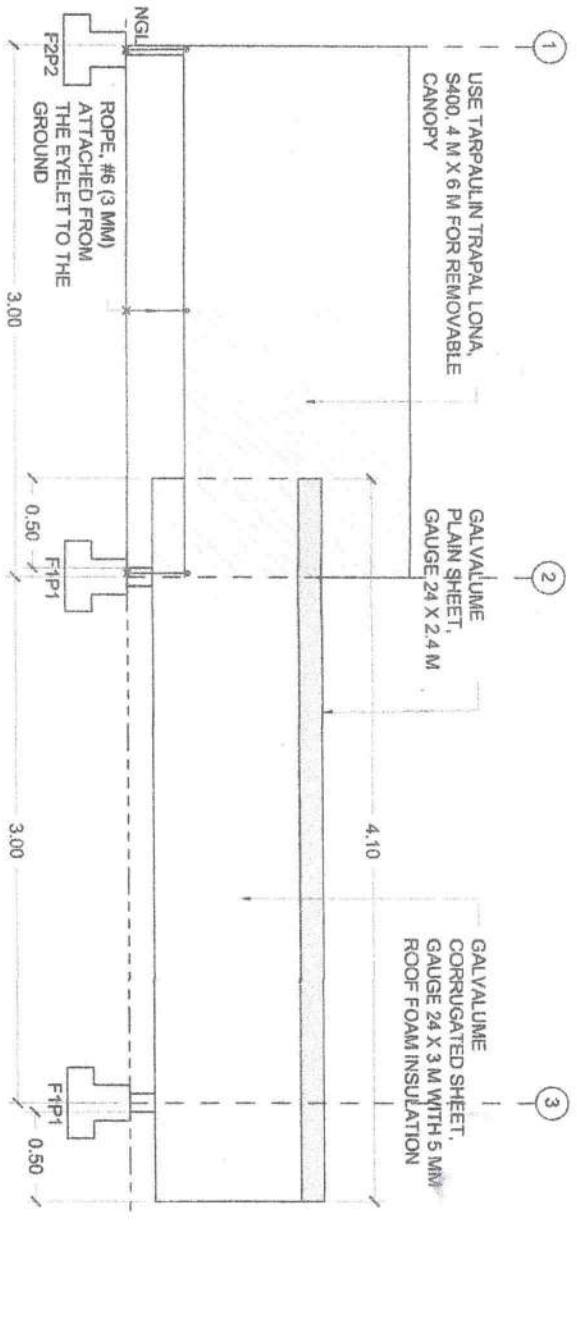
REAR ELEVATION
SCALE: 1:30 M

NOTE:
ALL DIMENSION ARE IN METER
UNLESS OTHERWISE SPECIFIED

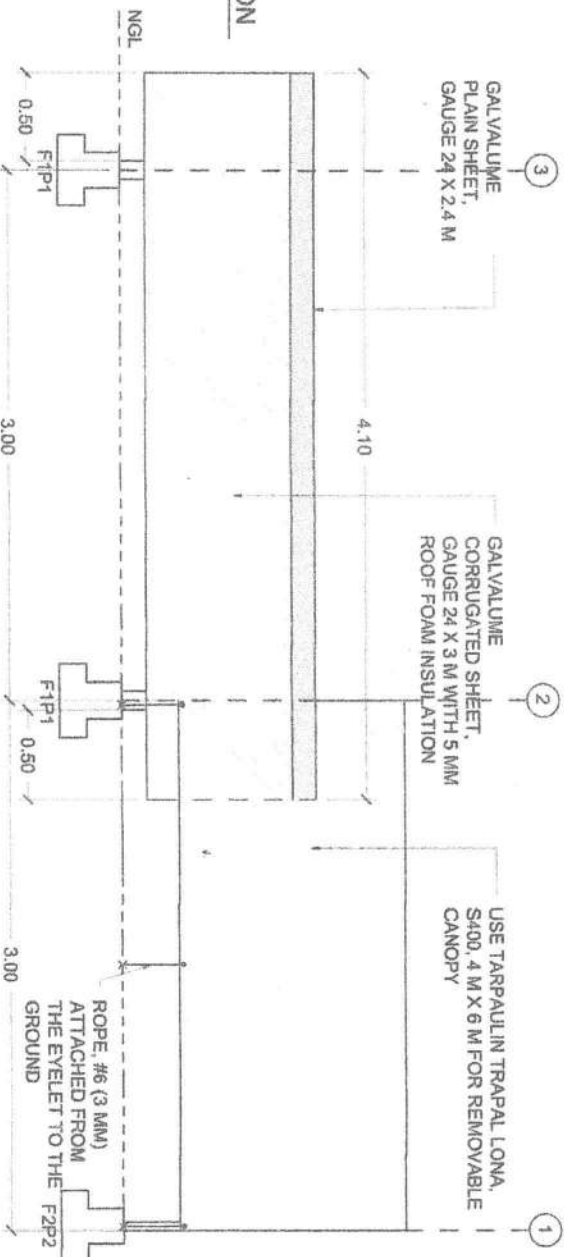
 Republic of the Philippines DEPARTMENT OF AGRICULTURE RFO XIII, Capitol Site, Butuan City	Project Title:	Prepared by:	Checked & Reviewed by:	Submitted by:	Noted:	Recommending approval:	Approved:	Sheet no.
	CONSTRUCTION OF DUCK HOUSE Location: Talacogon, ADS	 MARK LOUIE C. BACALSO COS - Alpha Project	 THESSA LYN B. LIMAS Engineer III	 RENE O. MORALES Chief, RAED	 FLORITO J. ROSALES OIC, Research Division	 ABEL F. VARGAS RTD for Research & Regulations	 ENGR. RICARDO M. ORATE, JR. Regional Executive Director	3 8


NOTE:
ALL DIMENSION ARE IN METER
UNLESS OTHERWISE SPECIFIED

RIGHT ELEVATION
SCALE: 1:30 M

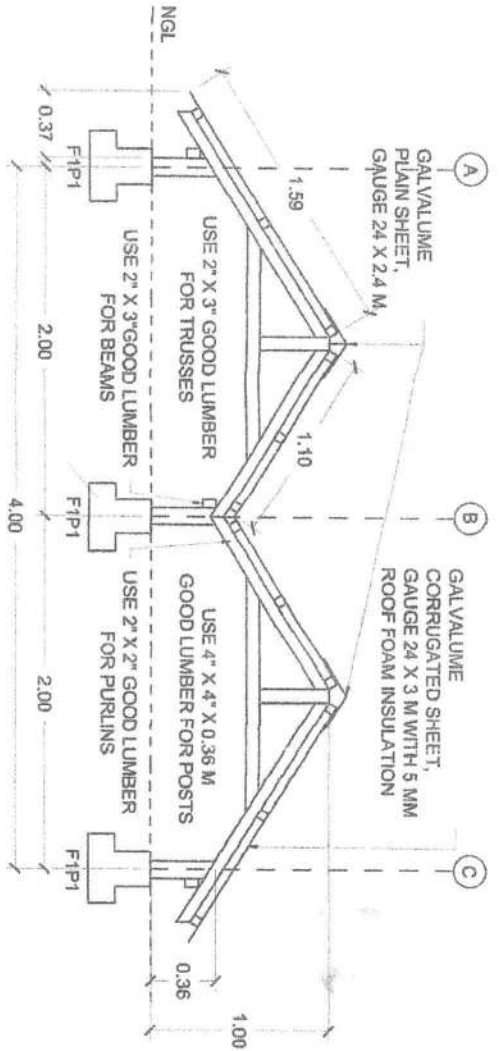


SECTION "B-B" LEFT ELEVATION
SCALE: 1:30 M

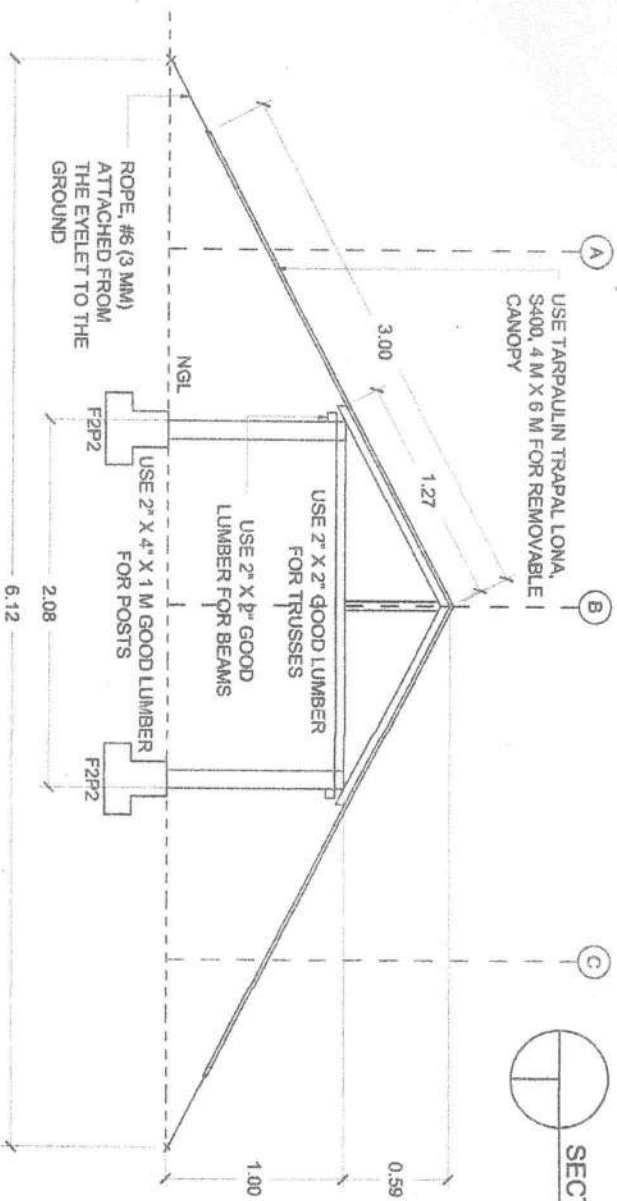


 <p>Republic of the Philippines DEPARTMENT OF AGRICULTURE RFO XIII, Capitol Site, Batuan City</p>	Project Title:	Prepared by:	Checked & Reviewed by:	Submitted by:	Noticed:	Recommending approval:	Approved:	Sheet no.
	CONSTRUCTION OF DUCK HOUSE Location: Talacogon, ADS	MARK LOUIE C. BACALISO COS - Alpha Project	THESSA LYN B. LIMAS Engineer - III	RENE D. MORALES Chief, RAED	FLORENTE J. ROSALES OIC, Research Division	ABEL F. WAGAS RTD for Research & Regulations	ENG. RICARDO M. ONATE, JR. Regional Executive Director	4 8

NOTE:
ALL DIMENSION ARE IN METER
UNLESS OTHERWISE SPECIFIED



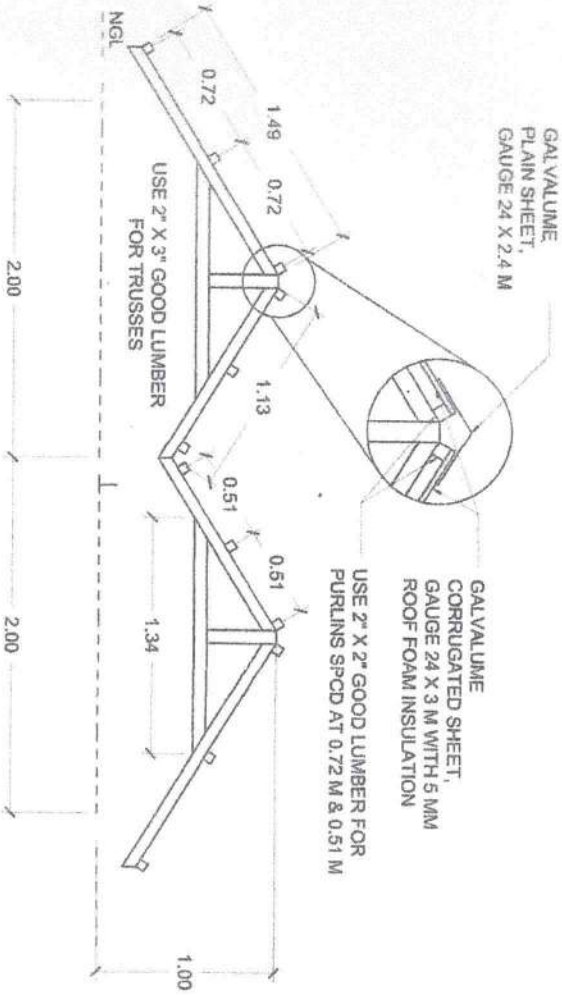
SECTION "A-A" (DUCK COOP)
SCALE: 1:30 M



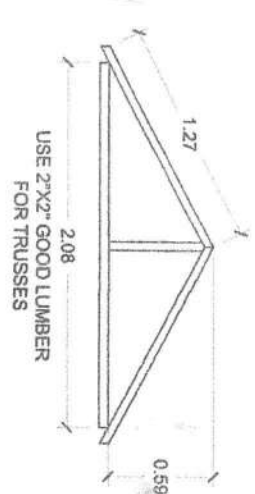
SECTION "C-C" (CANOPY)
SCALE: 1:30 M

 Republic of the Philippines DEPARTMENT OF AGRICULTURE RFO XIII, Capitol Site, Bulacan City	Project Title:	Prepared by:	Checked & Reviewed by:	Submitted by:	Noted:	Recommending approval:	Approver:	Sheet no. 5 8
	CONSTRUCTION OF DUCK HOUSE	MARK LOUE C. SACALSO COS - AMVA Project	THESSA LYN B. LIMAS Engineer III	RENE D. MORALES Archd. RAED	FLORITES J. ROSALES OIC, Research Division	ABEL F. WAGAS RTD for Research & Regulations	ENCARNACION M. OÑATE, JR. Regional Executive Director	

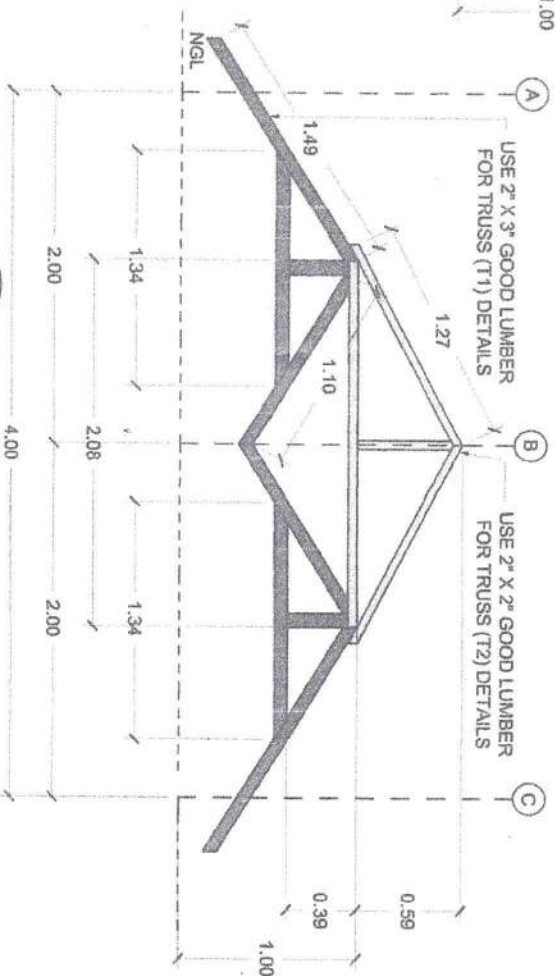
NOTE:
ALL DIMENSION ARE IN METER
UNLESS OTHERWISE SPECIFIED



TRUSS (T1) DETAILS
SCALE: 1:30 M



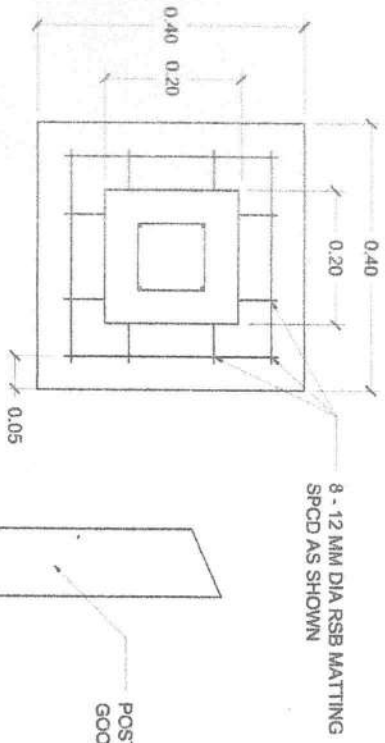
TRUSS (T2) DETAILS
SCALE: 1:30 M



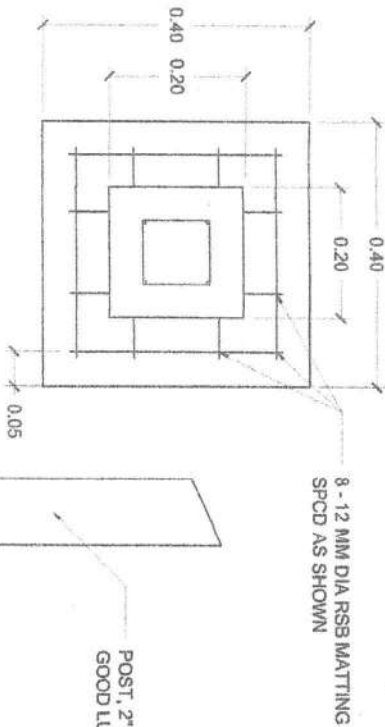
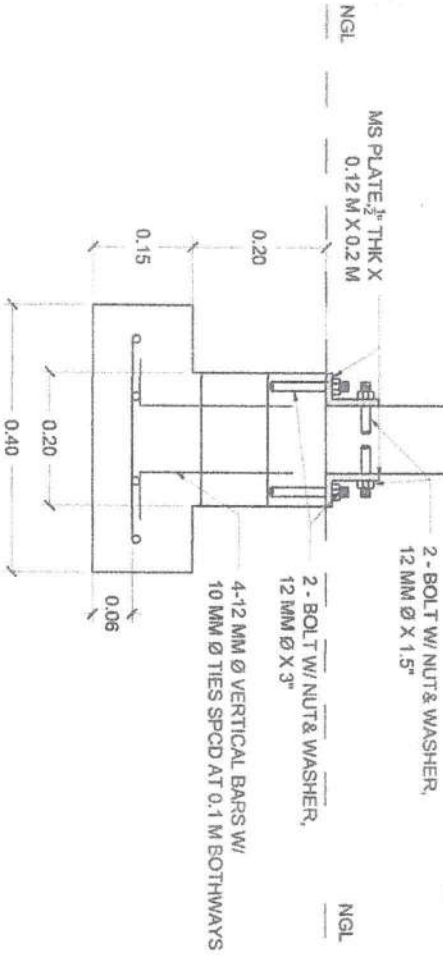
TRUSS (T1&T2) DETAILS
SCALE: 1:30 M

<p>Republic of the Philippines DEPARTMENT OF AGRICULTURE RFO XIII, Capitol Site, Bureau City</p>	Project Title:	Prepared by:	Checked & Reviewed by:	Submitted by:	Noted:	Recommending approval:	Approved:	Sheet no.
	CONSTRUCTION OF DUCK HOUSE	MARK LOUIE C. BACALSO COS - AMIA Project	THESSA LYN B. LIMAS Engineer III	RENE D. MORALES Asst. Engr. RAED	FLORENTE ROSALES OIC, Research Division	ABEL F. WIGAS RTD for Research & Reproductions	ENGR. ARD M. ONATE, JR. Regional Executive Director	5 8
Location: Telecom, ADS.		COS - AMIA Project		OIC, Research Division		Regional Executive Director		

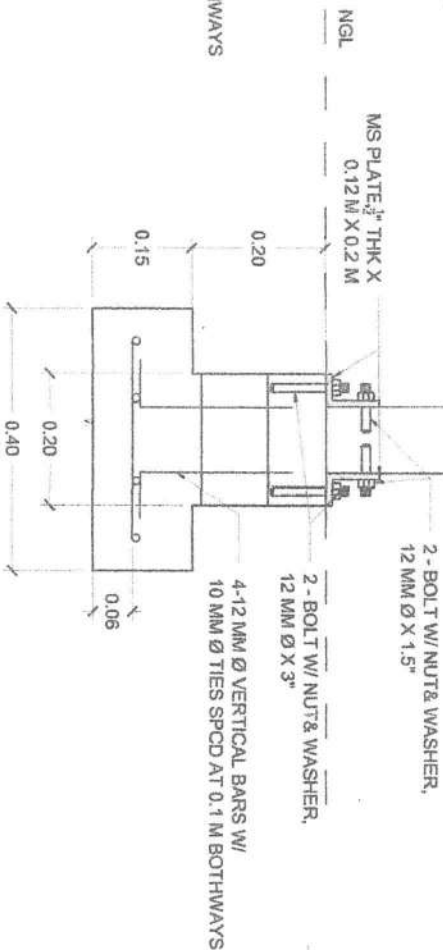
NOTE:
ALL DIMENSION ARE IN METER
UNLESS OTHERWISE SPECIFIED



FOOTING (F1) DETAILS
SCALE: 1:8 M




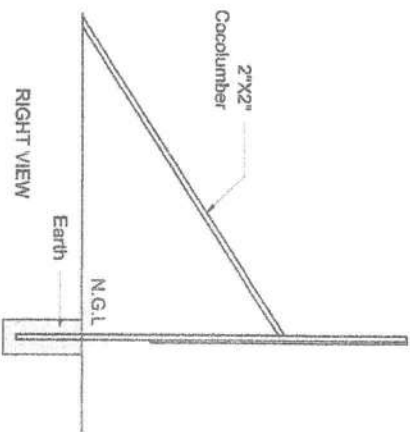
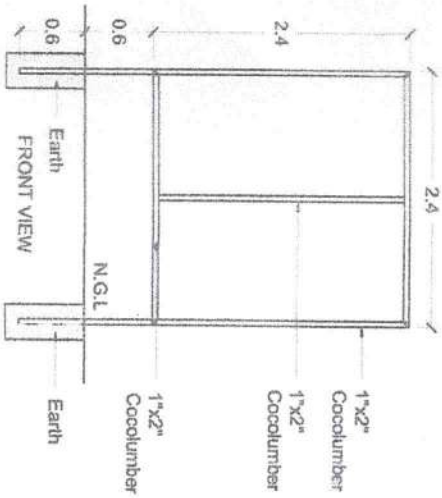
FOOTING (F2) DETAILS
SCALE: 1:8 M



PEDESTAL (P1) DETAILS
SCALE: 1:8 M

PEDESTAL (P2) DETAILS
SCALE: 1:8 M

 <p>Republic of the Philippines DEPARTMENT OF AGRICULTURE RFO XIII, Capitol Site, Bukuan City</p>	Project Title:	Prepared by:	Checked & Reviewed by:	Submitted by:	Noted:	Recommending approval:	Approved:	Sheet no.
	CONSTRUCTION OF DUCK HOUSE Location: Talacogon, ADS	MARK LOUIS C. SACALISO COS - ANVA Project	THESSIA LYN B. LIMAS Engineer III	RENE D. MORALES Chief, RAED	FLORENTE J. ROSALES OIC, Research Division	RTD for Research & Regulations	ABEL F. VAGAS	ENGR. CARDO M. ORANTE, JR. Regional Executive Director



1 PROJECT BILLBOARD DETAILS
 SCALE 1:50 MTS

		Republic of the Philippines DEPARTMENT OF AGRICULTURE Caraga Region Capital Site, Butuan City Tel. No. (085) 342-4092, Telefax No. (085) 341-2114		Cost Fund Source/s			
<p>Project Name: Construction of Duck House Location: Talacogon, ADS & Tubigon, PDI Implementing Agency/ies: DA-Caraga Region Development Partners: Contractor: Suppliers Brief Description:</p>							
Project Details:			Project Status:				
Duration	Started	Target Date of Completion	Percentage of Completion	As of (Date)	Cost Incurred to Date	Date Completed	Remarks
15 C.D.							
<p>For particulars or complaints about this project, please contact Regional Office or Cluster which has such jurisdiction on this project.</p> <p style="text-align: center;"> COA Regional Office No./Cluster: XIII-CARAGA Address: SOUTH MONTILLA BOULEVARD, BUTUAN CITY Contact No.: (085) 342-567 or ext. COA Cluster's Desk at 0715-5292957 </p>							

	Republic of the Philippines DEPARTMENT OF AGRICULTURE RFO XIII, Capital Site, Butuan City	Project Title: CONSTRUCTION OF DUCK HOUSE	Prepared by: MARK L. C. SACALISO COS - AMA Project	Checked & Reviewed by: TERESA LYN B. LIMAS Engineer III	Submitted by: RENE D. MORALES Chief, BAED	Noted: FLORITER J. ROSALES OIC, Research Division	Recommending approval: ABEL J. WAGAS RTD for Research & Recommendations	Approved: ENGR. ARDO M. ORATE, JR. Regional Executive Director	Sheet no. 8
--	--	---	---	--	--	--	--	---	--