



Republic of the Philippines
DEPARTMENT OF AGRICULTURE
Regional Field Office XIII
Capitol Site, Butuan City

Tel. No: (085) 342-4092 Telefax No.: (085) 341-2114

REQUEST FOR QUOTATION

Date: _____
Quotation #: _____

Name of Company _____

Address _____

TIN No. _____

Please quote your lowest price inclusive of taxes in the items/s listed, subject to the General Conditions below, stating the shortest time of delivery. Submit your quotation duly signed by your representative not later than 3 days upon receipt in sealed envelope marked with the reference no. [_____].


ABEL F. WAGAS
Chairman, Bids and Awards Committee

ITEM No.	Item Description	UNIT	QTY	UNIT COST	TOTAL COST
	Labor and Materials for the Construction of Chicken Laying House various location.....				
Lot 1. Province of Surigao del Norte					
	1. Brgy. Magsaysay and Brgy. Sta. Cruz ,General Luna, Surigao del Norte	unit	2		
	2. Brgy. Caridad, Pilar, Surigao del Norte	unit	1		
	3. Brgy. Bongdo and Brgy. Maribojoc , San Benito, Surigao del Norte	unit	2		
	4. Brgy. Mahayahay and Brgy. Katipunan, Del Carmen, Surigao del Norte	unit	2		
	5. Brgy. Del Pilar and Brgy. San Miguel San Isidro, Surigao del Norte	unit	2		
Item No.	Scope of Work	Qty	Unit		
PART I	GENERAL REQUIREMENTS				
B.5	Project Billboard /Signboard		1 each		
PART II	PART A - PLAIN AND REINFORCEMENT CONCRETE WORKS				
803(1)a	Structure Excavation	6.57	cu.m.		
804(1)	Embankment	6	cu.m.		
804(4)	Gravel Fill (1/2)	1.18	cu.m.		
900(8)	Structure Concrete	5	cu.m.		
902(1)a	Reinforcing Steel (Deformed) grade 40	249.87	kgs.		
	PART B - FINISHING AND OTHER CIVIL WORKS				
1013(1)	Corrugated Metal Roofing 26 x 10 ft.	90.35	sq.m.		
403(7)	Structural Steel Furnished, Fabricated & Erected	1	lot		
1032(1)c	Painting works (steel)	176.35	sq.m.		
SPL -1	Roll Up/Roll Down Trapal Curtain (7ftx 11 ft)		4 set		

ABC: **LOT 1 : 2,250,000.00**
Source of fund: **DA SAAD 2024**

General Conditions:

- All entries must be typewritten/printed in ink.
- Delivery period within _____ calendar days based on the contract.
- Warranty shall be for a period of six (6) months for supplies & materials, one (1) year for equipment from date of acceptance by procuring entity.
- Price validity shall be for a period of _____ calendar days
- PhilGEPS Registration Certificate, Business Permit, DTI Certificate and Tax Registration Certificate shall be attached upon submission of the quotation, if applicable.
- Bidders shall submit original brochures showing specification of the products being offered.
- Winning bidder(s) from outside Butuan City must appear personally or send authorized representative to signed contract and claimed payments.

After having carefully read and accepted your General Conditions, I/We quote on the item at prices noted above.

Supplier

Signature over Printed Name of Convasser

Tel. No. / CP No. / email address

Date



REQUEST FOR QUOTATION

Date: _____
 Quotation #: _____

Name of Company _____
 Address _____
 TIN No. _____

Please quote your lowest price inclusive of taxes in the items/s listed, subject to the General Conditions below, stating the shortest time of delivery. Submit your quotation duly signed by your representative not later than **3 days upon receipt** in sealed envelope marked with the reference no. [_____].


ABEL F. WAGAS
 Chairman, Bids and Awards Committee

ITEM No.	Item Description	UNIT	QTY	UNIT COST	TOTAL COST
	Labor and Materials for the Construction of Chicken Laying House various location.....				
	Lot 2. Province of Dinagat Islands				
	1.Brgy. Doña Helen and Brgy. Bayanihan , Libjo, PDI	unit	2		
	2. Brgy. Mabini and Brgy. Malinao, Tubajon, PDI	unit	2		
	3. Brgy. Wadas and Brgy. Justiniana, Dinagat, PDI	unit	2		
Item No.	Scope of Work	Qty	Unit		
PART I	GENERAL REQUIREMENTS				
B.5	Project Billboard /Signboard	1	each		
PART II	PART A - PLAIN AND REINFORCEMENT CONCRETE WORKS				
803(1)a	Structure Excavation	6.57	cu.m.		
804(1)	Embankment	6	cu.m.		
804(4)	Gravel Fill (1/2)	1.18	cu.m.		
900(8)	Structure Concrete	5	cu.m.		
902(1)a	Reinforcing Steel (Deformed) grade 40	249.87	kgs.		
	PART B - FINISHING AND OTHER CIVIL WORKS				
1013(1)	Corrugated Metal Roofing 26 x 10 ft.	90.35	sq.m.		
403(7)	Structural Steel Furnished,Fabricated & Erected	1	lot		
1032(1)c	Painting works (steel)	176.35	sq.m.		
SPL-1	Roll Up/Roll Down Trapal Curtain (7ftx 11 ft)	4	set		

ABC: **LOT 1: 1,500,000.00**
 Source of fund: **DA SAAD 2024**

General Conditions:

- All entries must be typewritten/printed in ink.
- Delivery period within _____ calendar days based on the contract.
- Warranty shall be for a period of six (6) months for supplies & materials, one (1) year for equipment from date of acceptance by procuring entity.
- Price validity shall be for a period of _____ calendar days
- PhilGEPS Registration Certificate, Business Permit, DTI Certificate and Tax Registration Certificate shall be attached upon submission of the quotation, if applicable.
- Bidders shall submit original brochures showing specification of the products being offered.
- Winning bidder(s) from outside Butuan City must appear personally or sent authorized representative to signed contract and claimed payments.

After having carefully read and accepted your General Conditions, I/We quote on the item at prices noted above.

 Supplier

 Signature over Printed Name of Convasser

 Tel. No. / CP No. / email address

 Date



DEPARTMENT OF AGRICULTURE

RFO XIII - CARAGA
CAPITOL SITE, BUTUAN CITY

CONSTRUCTION OF CHICKEN LAYING HOUSE

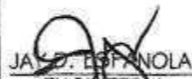





VARIOUS LOCATION
CARAGA REGION

NAME OF PROJECT: CONSTRUCTION OF CHICKEN LAYING HOUSE

PROJECT LOCATION: VARIOUS LOCATION

BILL OF QUANTITIES

Item No.	Scope of Work	Quantity	Unit
PART. I	GENERAL REQUIREMENTS		
B.5	Project Billboard/SignBoard	1.00	each
PART. II	PART A - PLAIN AND REINFORCED CONCRETE WORKS		
803(1)a	Structure Excavation	6.57	cu.m.
804 (1)	Embankment	6.00	cu.m.
804(4)	Gravel Fill (1/2")	1.18	cu.m.
900(8)	Structural Concrete	5.00	cu.m.
902(1)a	Reinforcing Steel (Deformed),grade 40	249.87	kgs.
	PART B - FINISHING AND OTHER CIVIL WORKS		
1013(1)	Corrugated Metal Roofing , ga. 26 x 10ft.	90.35	sq.m.
403(7)	Structural Steel Furnished, Fabricated & Erected	1.00	lot
1032(1)c	Painting Works(Steel)	176.35	sq.m.
SPL-1	Roll Up/Roll Down Trapal Curtain (7ft.X11ft.)	4.00	set

Republic of the Philippines DEPARTMENT OF AGRICULTURE Caraga Region	PROJECT TITLE:	PREPARED BY:	CHECKED & REVIEWED BY:	SUBMITTED BY:	NOTED BY:	RECOMMENDING APPROVAL:	APPROVED BY:	SHEET NO.:
	CONSTRUCTION OF CHICKEN LAYING HOUSE							1
	LOC.: VARIOUS LOCATION	JA. D. ESPANOLA ENGINEER I	THESSALYN B. LIMAS ENGINEER III	RENE G. MORALES ENGINEER V/CHIEF RAED	MELODY M. GUIMARY CHIEF, FOD/SAAD, FOCAL PERSON	REBECCA R. ATEGA RITD FOR OPERATIONS	ENGR. RICARDO M. ONATE, JR. REGIONAL EXECUTIVE DIRECTOR	5



Republic of the Philippines
 DEPARTMENT OF AGRICULTURE
 Caraga Region
 Capitol Site, Butuan City
 Tel. No. (085) 342-4092, Telefax No: (085) 341-2114

Project Name: Construction of Chicken Laying House
 Location: Various Location
 Implementing Agency/ies: DA-Caraga Region
 Development Partners:
 Contractor/Supplier:
 Brief Description:

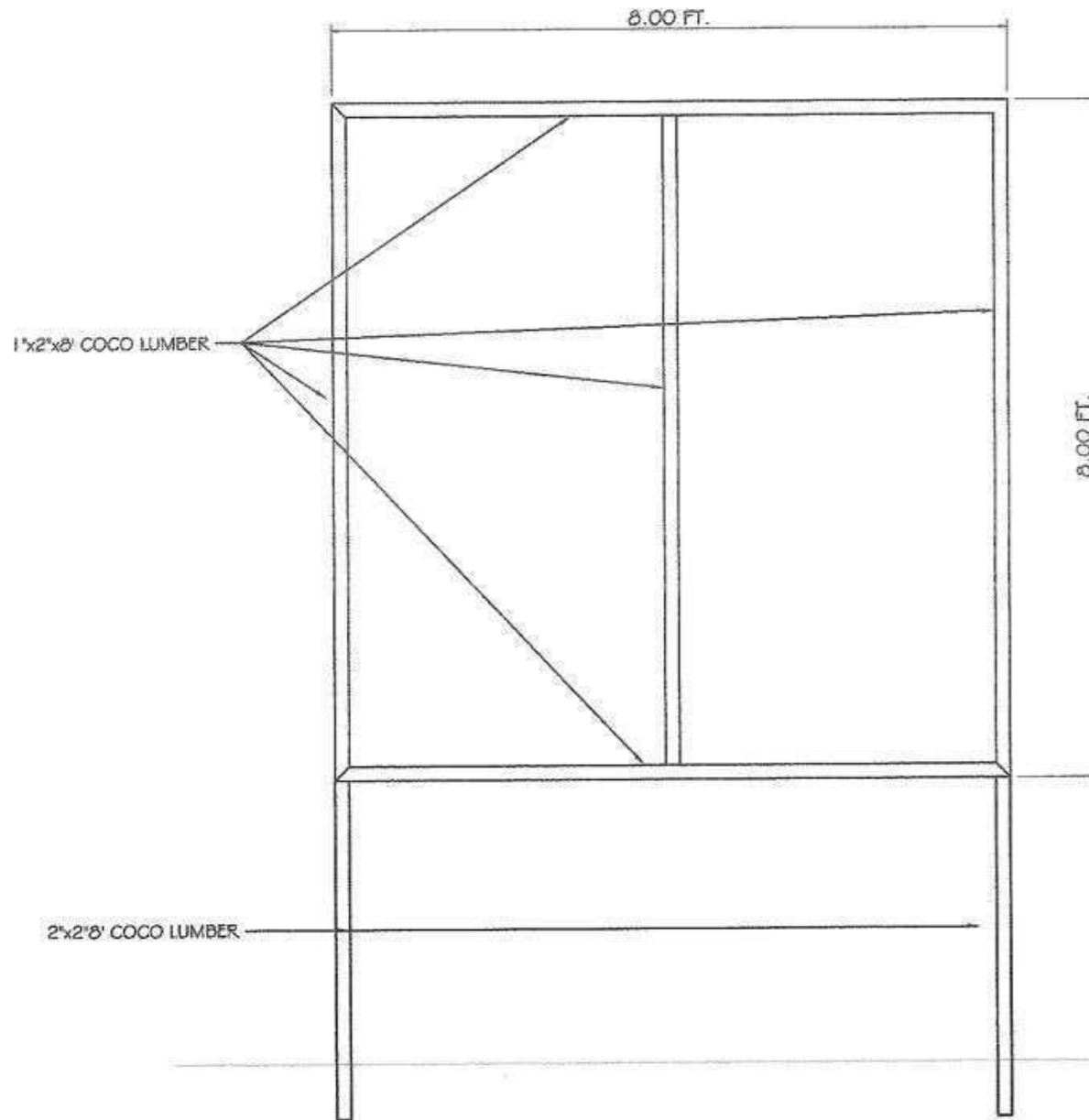
Cost:
 Fund Source/s:

Project Details:

Project Date			Project Status				Remarks
Duration	Started	Target Date of Completion	Percentage of Completion	As of (Date)	Cost Incurred to Date	Date Completed	
60 C.D.							

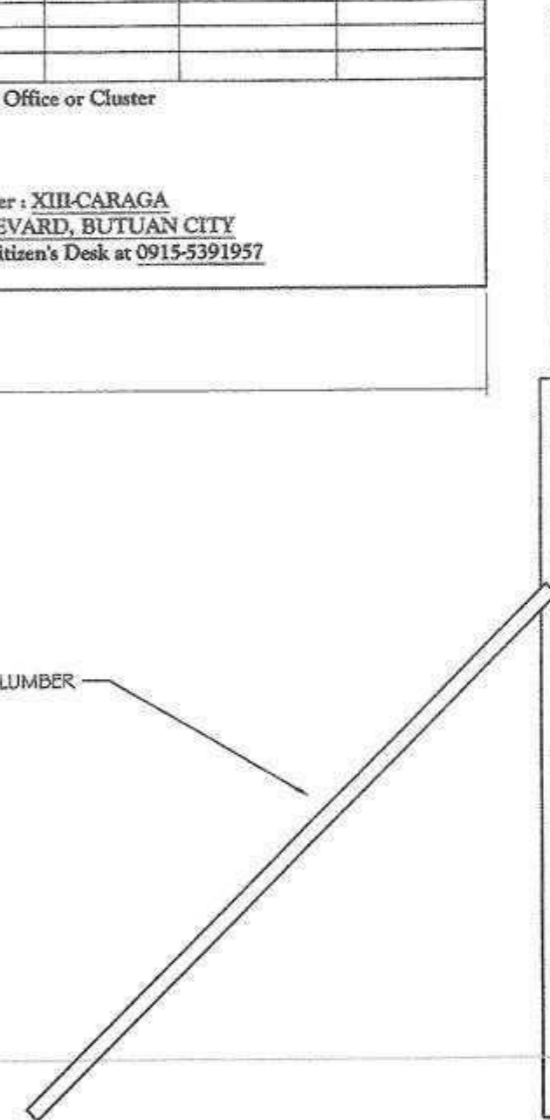
For particulars or complaints about this project, please contact Regional Office or Cluster which has audit jurisdiction on this project:

COA Regional Office No./Cluster : XIII-CARAGA
 Address: SOUTH MONTILLA BOULEVARD, BUTUAN CITY
 Contact No.: (085) 342-567 or text COA Citizen's Desk at 0915-5391957



FRONT VIEW
 SCALE 1:25 MTS

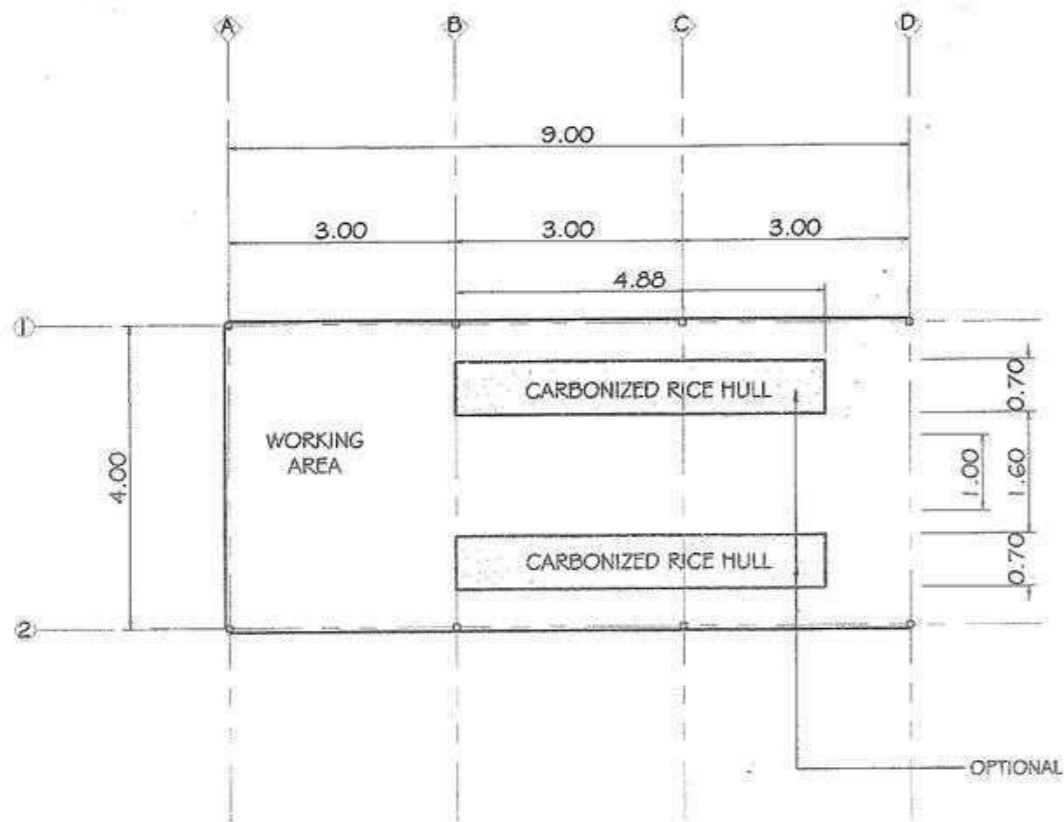
2PCS. - 2'x2'x8' COCO LUMBER



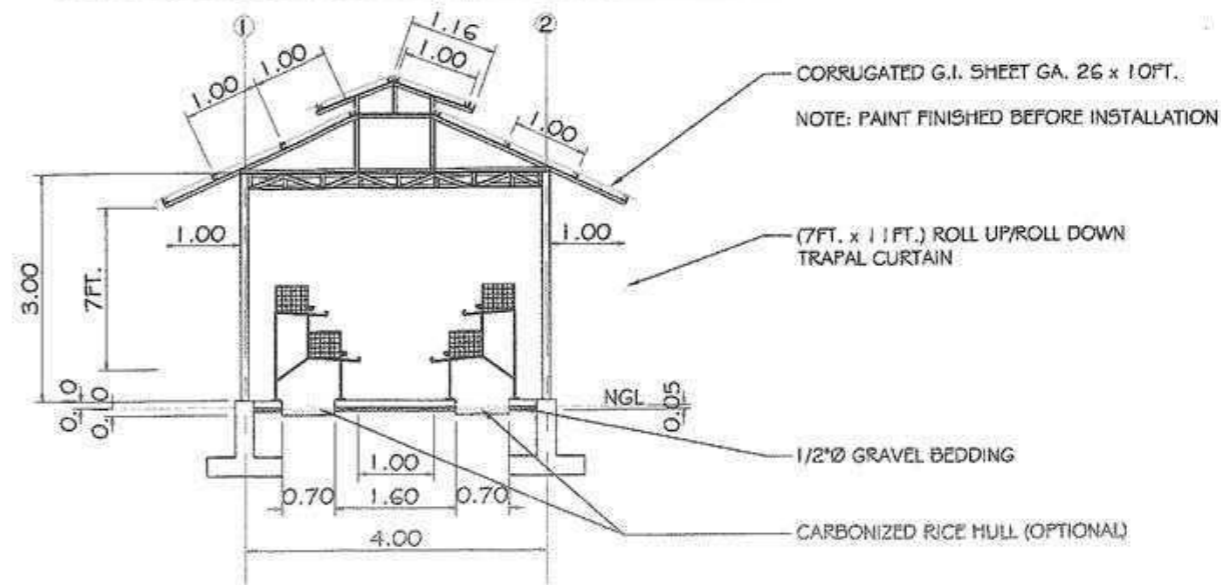
RIGHT & LEFT SIDE VIEW
 SCALE 1:25 MTS

PROJECT BILLBOARD DETAILS

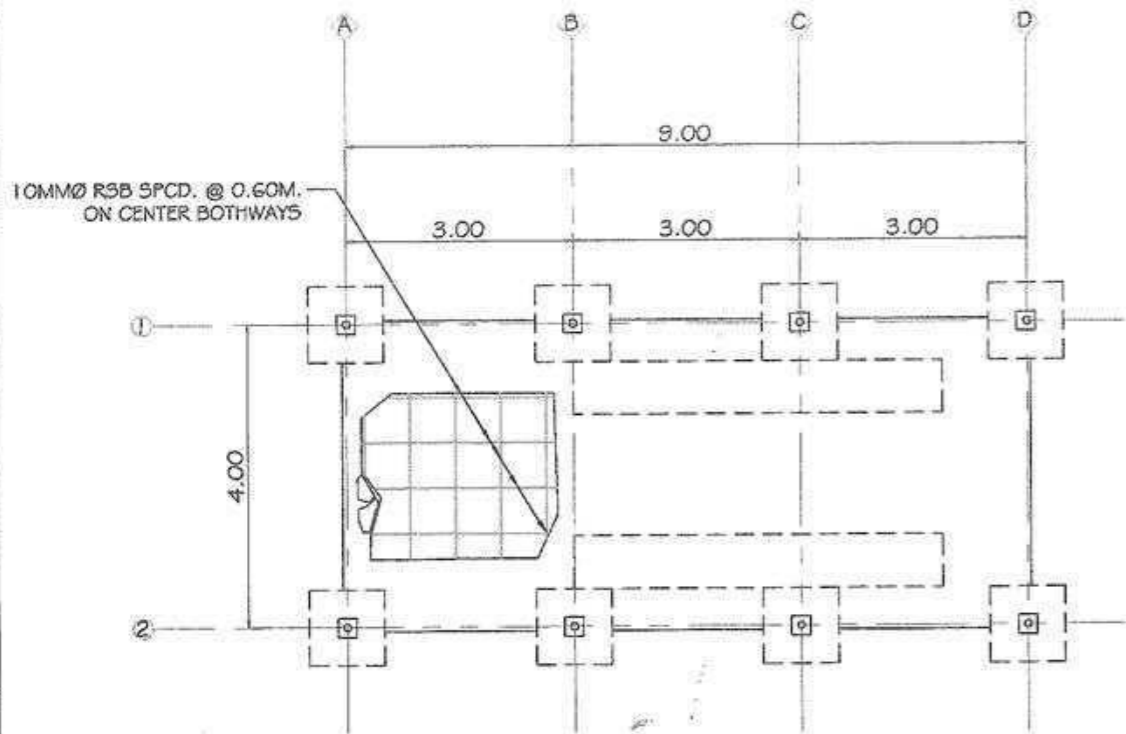
Republic of the Philippines DEPARTMENT OF AGRICULTURE Caraga Region	PROJECT TITLE:	PREPARED BY:	CHECKED & REVIEWED BY:	SUBMITTED BY:	NOTED BY:	RECOMMENDING APPROVAL:	APPROVED BY:	SHEET NO.: 2 / 5
	CONSTRUCTION OF CHICKEN LAYING HOUSE	JAY D. ESPANOLA ENGINEER II	THESSALYN B. LIMAS ENGINEER III	RENE Q. MORALES ENGINEER/CHIEF RAED	MELODY M. GUMARY CHIEF, FOOD/FEED, FOCAL PERSON	REBECCA R. WATESA RTD FOR OPERATIONS	ENGR. RICARDO M. ONATE, JR. REGIONAL EXECUTIVE DIRECTOR	
	LOC.: VARIOUS LOCATION							



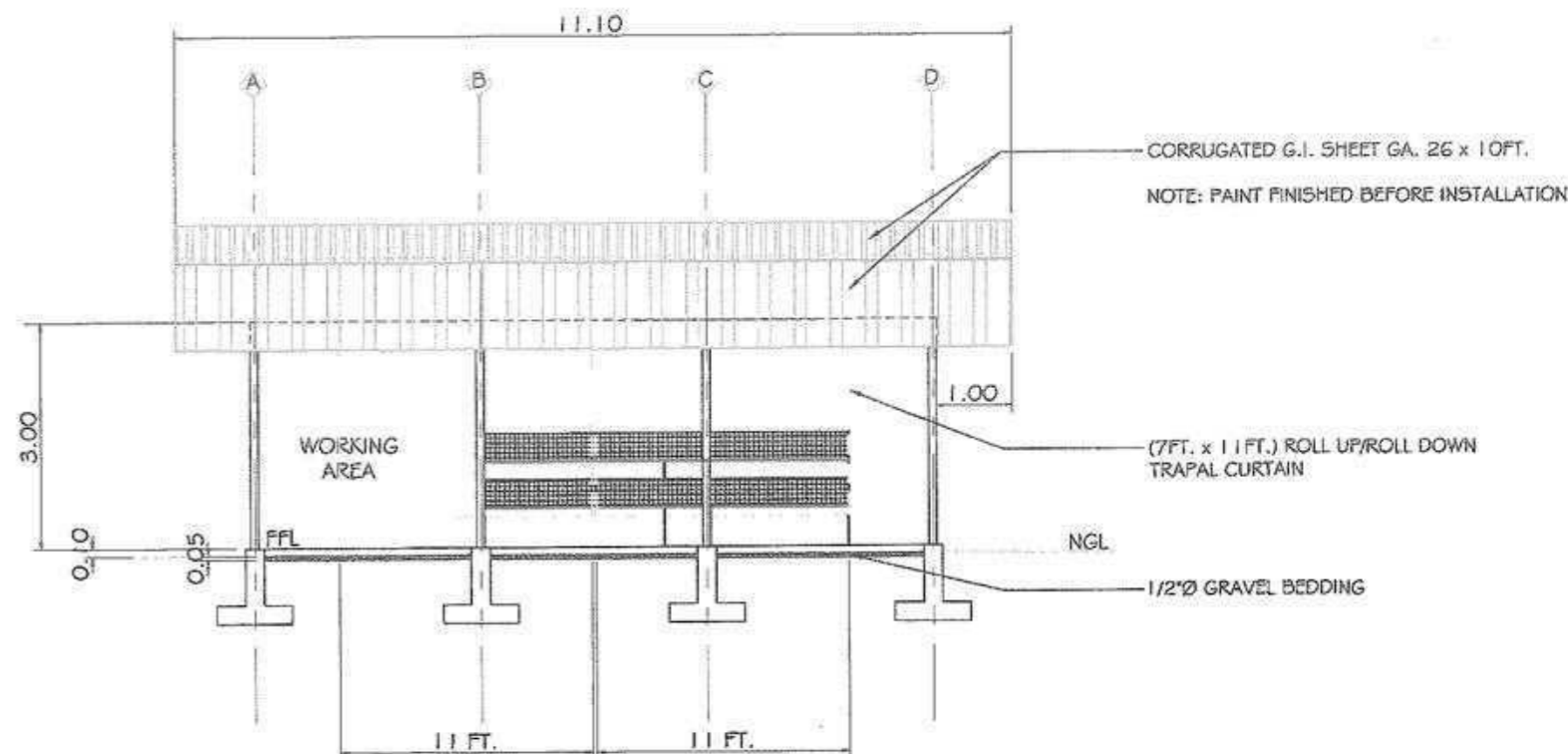
FLOOR PLAN
SCALE: 1:100 MTS.



FRONT ELEVATION
SCALE: 1:100 MTS.

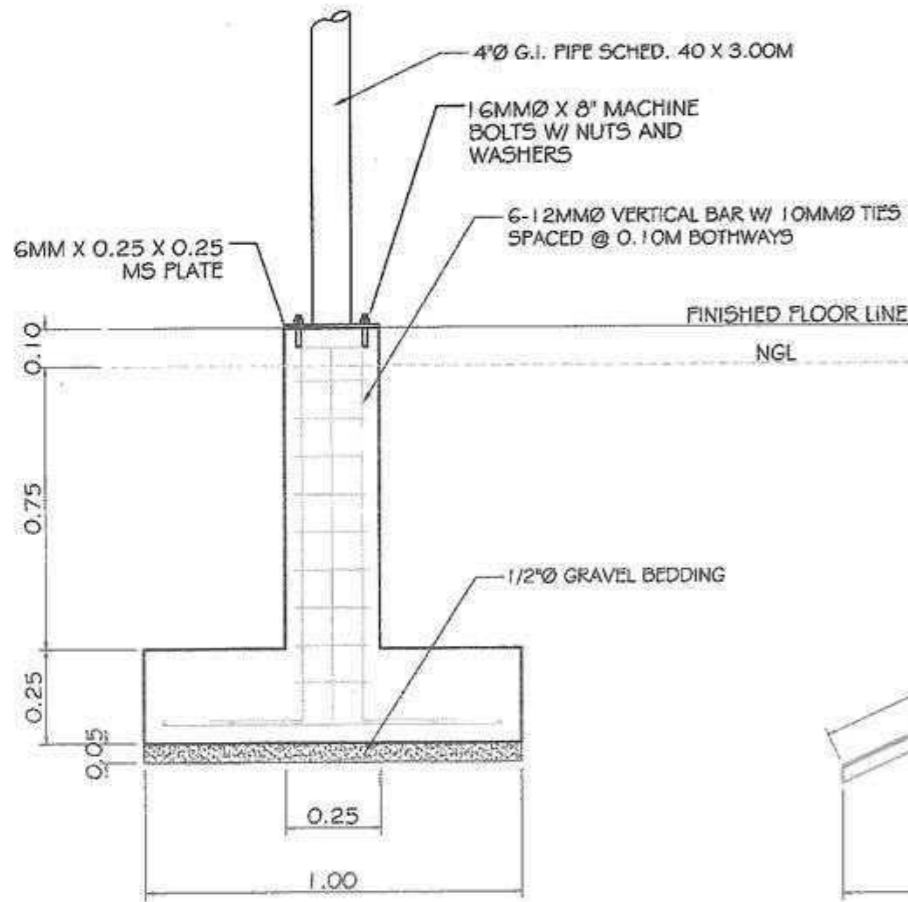


FOUNDATION PLAN
SCALE: 1:100 MTS.

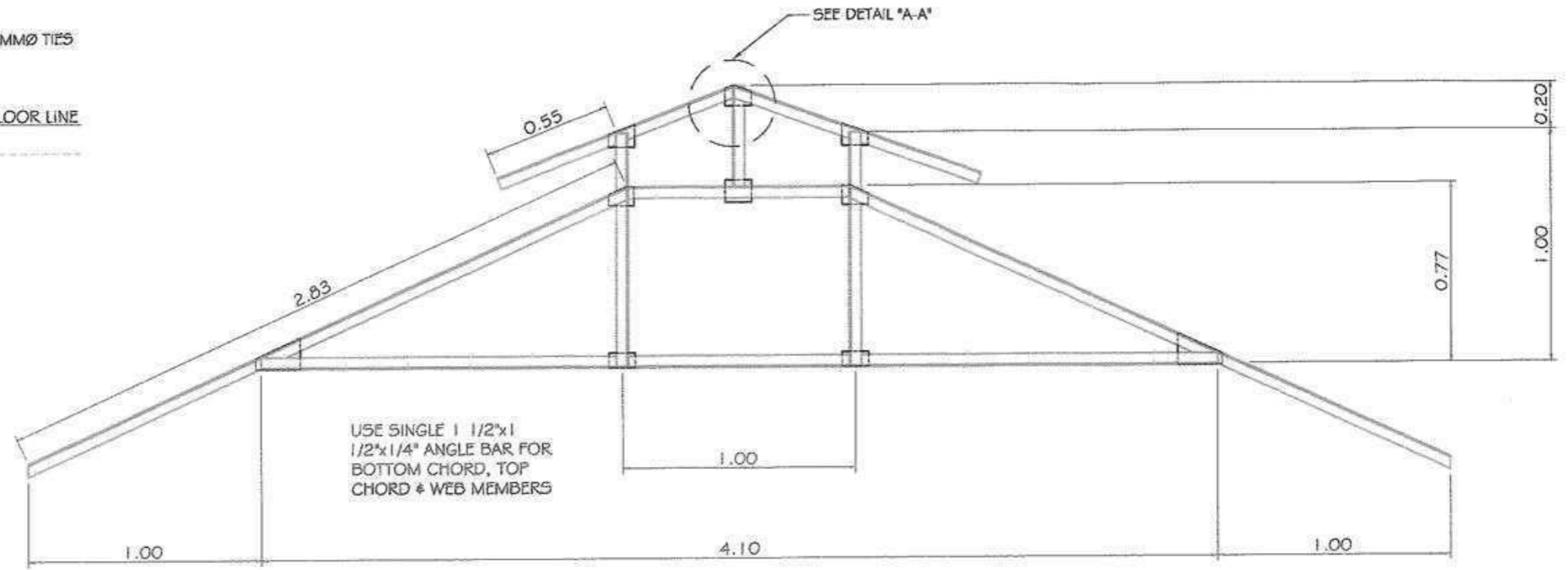


RIGHT ELEVATION
SCALE: 1:100 MTS.

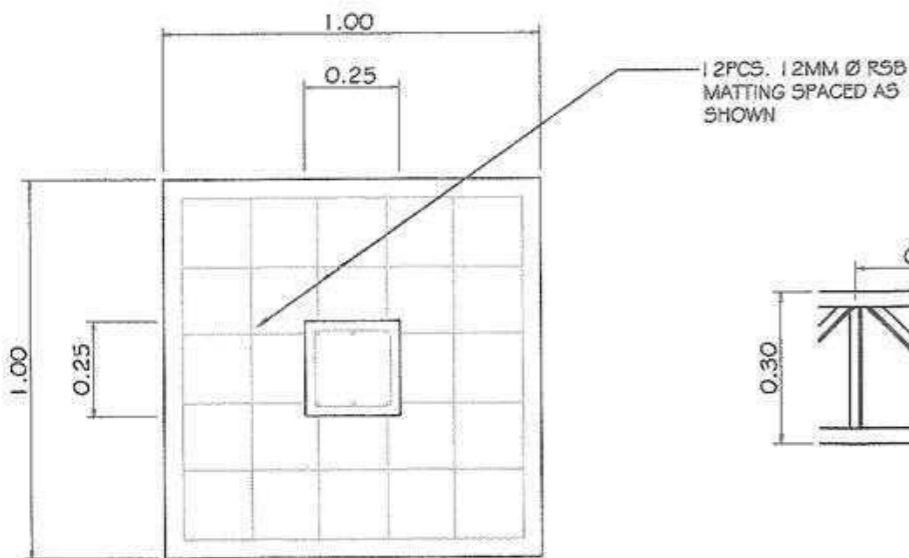
Republic of the Philippines DEPARTMENT OF AGRICULTURE Caraga Region	PROJECT TITLE:	PREPARED BY:	CHECKED & REVIEWED BY:	SUBMITTED BY:	NOTED BY:	RECOMMENDING APPROVAL:	APPROVED BY:	SHEET NO.: 3 / 5
	CONSTRUCTION OF CHICKEN LAYING HOUSE	JAY D. PANOLA ENGINEER II	THESSALYN B. LIMAS ENGINEER III	RENE Q. MORALES ENGINEER / CHIEF RAED	MELODY M. GUIMARY CHIEF, POD/SAS, LEGAL PERSON	REBECCA R. ATEGA RTD FOR OPERATIONS	ENGR. CARDO M. ONATE, JR. REGIONAL EXECUTIVE DIRECTOR	
	LOC.: VARIOUS LOCATION							



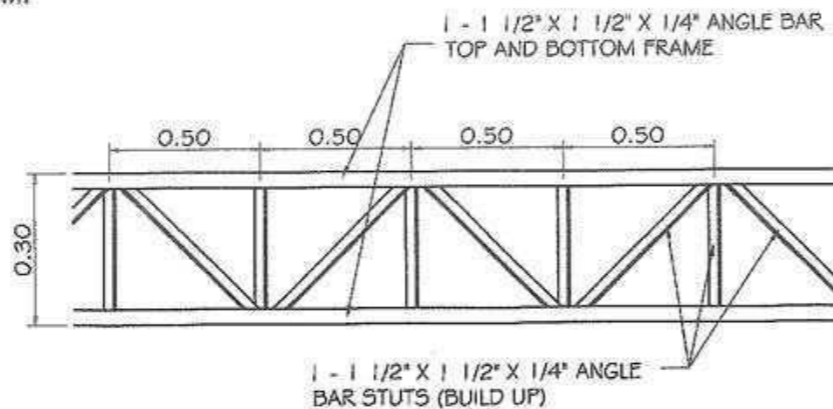
PEDESTAL (P1) DETAIL
SCALE 1:20 MTS



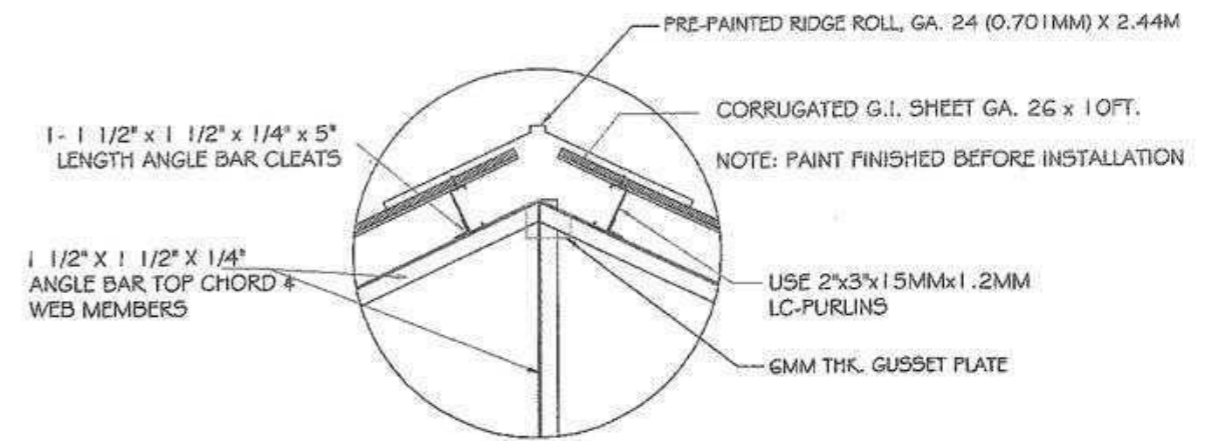
TRUSS (T1) DETAILS
SCALE: 1:25 MTS.



FOOTING (F1) DETAIL
SCALE 1:20 MTS

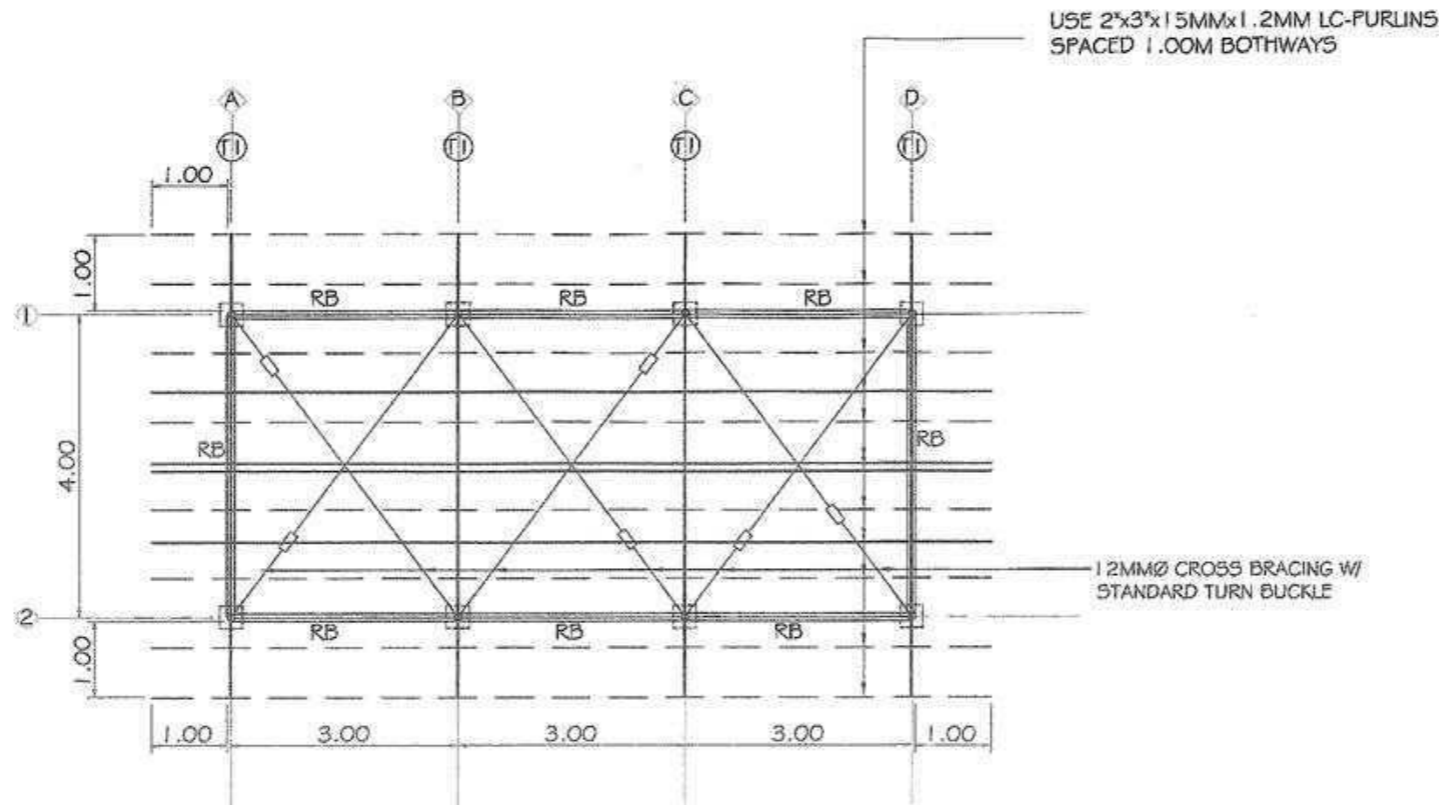


ROOF BEAM DETAIL
SCALE 1:25 MTS

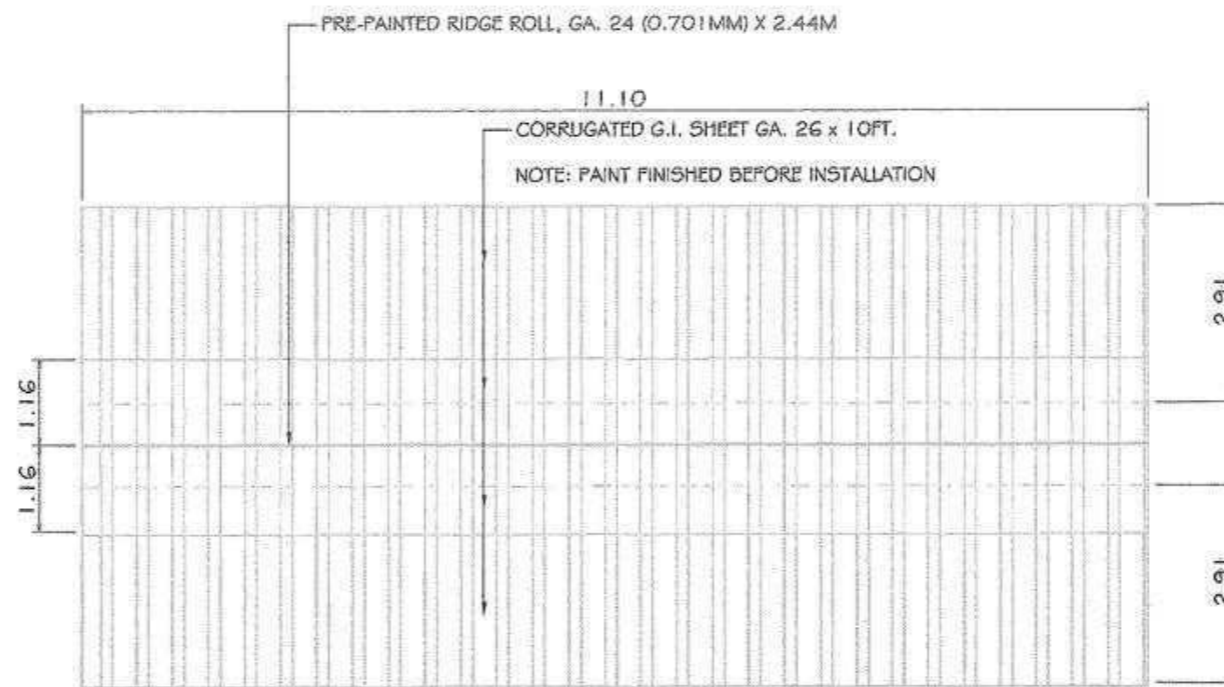


DETAIL "A-A"
SCALE 1:25 MTS

Republic of the Philippines DEPARTMENT OF AGRICULTURE Caraga Region	PROJECT TITLE:	PREPARED BY:	CHECKED & REVIEWED BY:	SUBMITTED BY:	NOTED BY:	RECOMMENDING APPROVAL:	APPROVED BY:	SHEET NO.:
	CONSTRUCTION OF CHICKEN LAYING HOUSE	JAY P. ESPANOLA ENGINEER II	THESSA LYN B. LIMAS ENGINEER III	RENE C. MORALES ENGINEER / CHIEF RAED	MELODY M. GUIMARY CHIEF, FOD/SAAD, FOCAL PERSON	REBECCA R. ATEGA RTD FOR OPERATIONS	ENGR. CARDO M. ONATE, JR. REGIONAL EXECUTIVE DIRECTOR	4
	LOC.: VARIOUS LOCATION							5



ROOF FRAMING PLAN
SCALE: 1:100 MTS.



ROOF PLAN
SCALE: 1:100 MTS.

Republic of the Philippines
DEPARTMENT OF AGRICULTURE
Caraga Region

PROJECT TITLE:

CONSTRUCTION OF CHICKEN LAYING HOUSE

LOC.: VARIOUS LOCATION

PREPARED BY:

JAY D. ESPANOLA
ENGINEER II

CHECKED & REVIEWED BY:

THESSA LYN B. LIMAS
ENGINEER III

SUBMITTED BY:

RENZ Q. MORALES
ENGINEER V/CHIEF RAED

NOTED BY:

MELDY M. GUMARY
CHIEF, FOD/SAAD, FOCAL PERSON

RECOMMENDING APPROVAL:

REBECCA R. ATEGA
KID FOR OPERATIONS

APPROVED BY:

ENGR. RICARDO M. ONATE, JR.
REGIONAL EXECUTIVE DIRECTOR

SHEET NO.:

5
5