



REQUEST FOR QUOTATION

Date: _____
Quotation #: _____

Name of Company _____

Address _____

TIN _____

Please quote your lowest price inclusive of taxes in the items/s listed, subject to the General Conditions below, stating the shortest time of delivery. Submit your quotation duly signed by your representative not later than 3 days upon receipt in sealed envelope marked with the reference no. (PR 23-07-SP217)

JOHNNY M. CONCON
Chairman, Bids and Awards Committee

ITEM NO.	ITEM & DESCRIPTION	UNIT	QUANTITY	UNIT COST	TOTAL COST
1	Procurement of Labor and Materials for the Construction of Duck House	unit	2		
	Location:				
	1. Brgy. Buena Gracia, Talacogon, Agusan del Sur				
	2. Brgy. Diaz, Tubajon, Province of Dinagat Islands				
	(See attached POW and DED)				
	Note:				
	<i>In reference to the Practice of Professional Agricultural Engineers, pursuant to RA 10915, all plans, designs, drawings, estimates, specifications, and other documents related to agriculture both public and private, shall be signed, stamped and sealed by Agricultural and Biosystems Engineers</i>				

ABC: 100,000.00

Source of fund: CRA CY - 2023 AMIA PROGRAM

General Conditions:

- All entries must be typewritten/printed in ink.
- Delivery period within _____ calendar days based on the contract.
- Warranty shall be for a period of six (6) months for supplies & materials, one (1) year for equipment from date of acceptance by procuring entity.
- Price validity shall be for a period of _____ calendar days
- PhilGEPS Registration Certificate, Business Permit, DTI Certificate and Tax Registration Certificate shall be attached upon submission of the quotation, if applicable.
- Bidders shall submit original brochures showing specification of the products being offered.
- Winning bidder(s) from outside Butuan City must appear personally or sent authorized representative to signed contract and claimed payments.

After having carefully read and accepted your General Conditions, I/We quote on the item at prices noted above.

Printed Name/Signature of Company _____

Name and Signature of Convasser _____

Tel. No. / CP No. / email address _____

DEPARTMENT OF AGRICULTURE - CARAGA
Capitol Site, Butuan City



CONSTRUCTION OF DUCK HOUSE
Talacogon, ADS & Tubajon, PDI

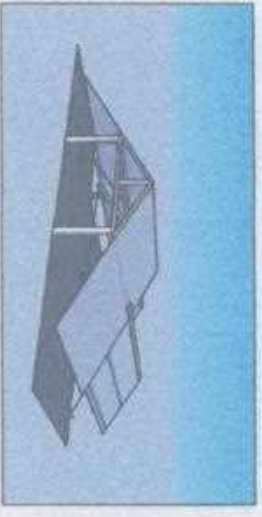


Republic of the Philippines
DEPARTMENT OF AGRICULTURE
RFO XII, Capitol Site, Bulacan City

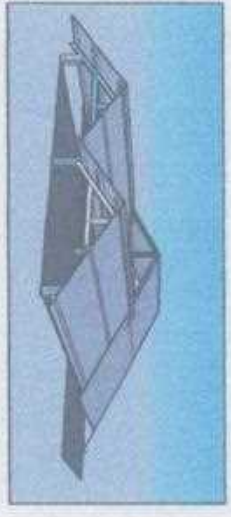
Project Title: CONSTRUCTION OF QUACK HOUSE Location: Taseogon, ADS & Tuluyan PO:	Prepared by: MARK LOUIE C. BACALALO COS - AVIA Project	Checked & Reviewed by: THEODORLYN B. LIMAS Inspector III	Submitted by: PINEDA G. MORALES Chief, ROAD	Name: ROBERTO ROSALES COC, BASSAGO, DIVISION	Recommending approval: ABEL F. YLAGAS RTD for Preparation & Submission	Approved: EMOR ARANDO M. OJARTE, JR. Regional Executive Director	Sheet no. 1
---	--	--	---	--	--	--	----------------

Item No.	Description	Quantity	Unit
B.5	Project Billboard/Signboard	1	each
900(8)	Structural Concrete	0.3	cu.m
902(1)a	Reinforcing Steel (Deformed), Grade 40	34	kg
103	Carpentry & Joinery Works	209	bd.ft
1014(1)b1	Galvalume Corrugated Sheet, Gauge 24 x 3 m	12	sheet

NOTE:
ALL DIMENSION ARE IN METER
UNLESS OTHERWISE SPECIFIED



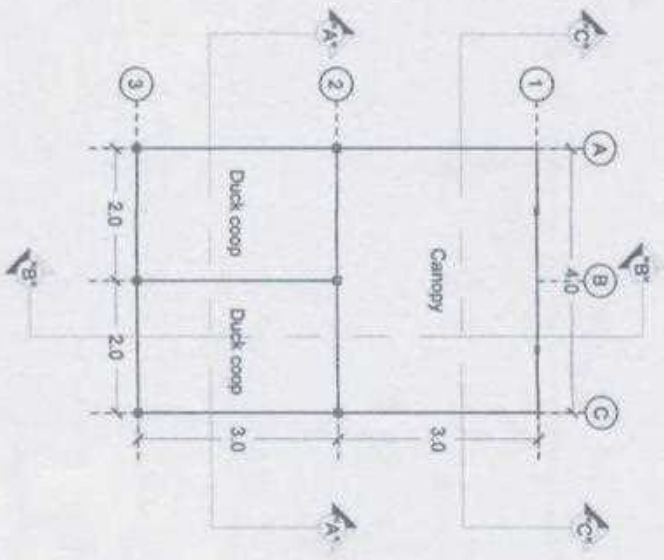
FRONT VIEW



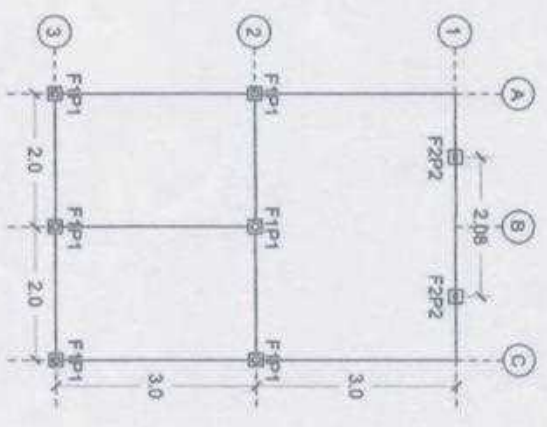
REAR VIEW



PERSPECTIVE VIEW
DRAWN NOT SCALE



FLOOR PLAN
SCALE: 1:80 M



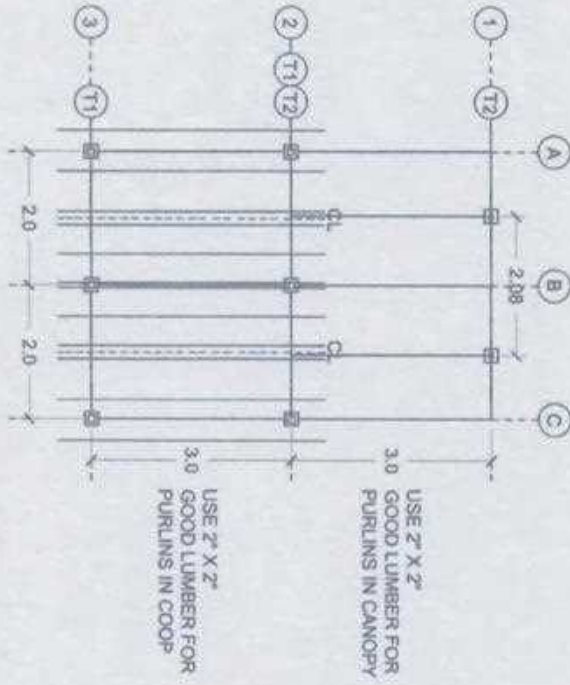
FOUNDATION PLAN
SCALE: 1:80 M



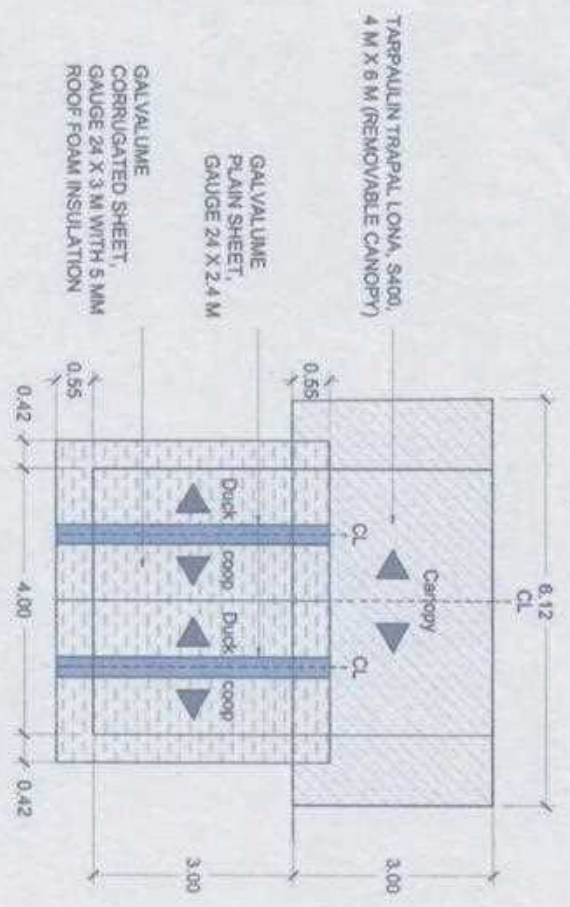
Republic of the Philippines
DEPARTMENT OF AGRICULTURE
Bureau of Animal Industry
RFO-XIII, Capitol Site, Bulacan City

Project Title:	CONSTRUCTION OF DUCK HOUSE
Location:	Talacogon, ADOS & Talacogon, PDI
Prepared by:	MAJOR LOUIS C. BACALALSO COS - AIAA Project
Checked & Reviewed by:	THESSA LYN B. LIMAS Engr. III
Submitted by:	VENI O. MORALES Chief, RABD
Noted:	FLORITE Y. ROSALES OIC, Structural Division
Recommending approval:	ABEL F. MAGAS RTD for Assistant & Inspector
Approved:	ENGR. ERIC M. ORATE, JR. Assistant Executive Director
Sheet no.	1

NOTE:
ALL DIMENSION ARE IN METER
UNLESS OTHERWISE SPECIFIED



ROOF FRAMING PLAN
SCALE: 1:80 M



ROOF PLAN
SCALE: 1:80 M

 Republic of the Philippines DEPARTMENT OF AGRICULTURE RFO XII, Capitol Sta., Bulacan City	Project Title:	Prepared by:	Checked & Reviewed by:	Schemed by:	Noted:	Recommending approval:	Approved:	Sheet no.
	CONSTRUCTION OF DUCK HOUSE Location: Talavera, AD5 & Talavera POJ	MARK LOUIS C. BACALSO CO3 - ARA Project	THEOBALDO B. LIMAS Engineer III	ROSALES Civil Engr.	FLORANTE ROSALES Off. Assistant Director	ALBERT ROSALES RTD for Assistant & Inspectors	ENGR. SANDO M. ORATE, JR. Regional Executive Director	2 3



Republic of the Philippines
DEPARTMENT OF AGRICULTURE
RFO-XIII, Capitol Site, Division City

Project Title:
CONSTRUCTION OF DUCK HOUSE
Location: Talisayon, AOS & Talisayon
POB

Prepared by:
Maria Lourie C. Bacaliso
MARIAN LOURIE C. BACALISO
COS - ALVA Project

Checked & Reviewed by:
Theresa Lyn B. Limas
THERESA LYN B. LIMAS
Engineer III

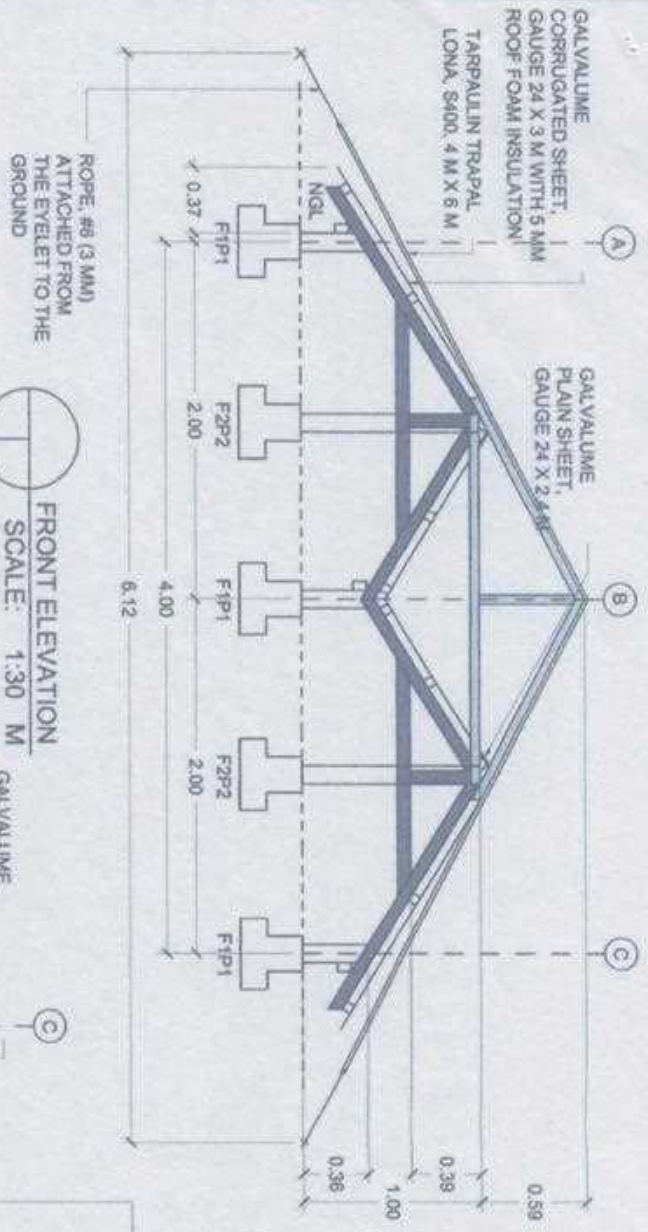
Sub-approver:
Rafael C. Morales
RAFAEL C. MORALES
Project Manager

Noted:
Florencio J. Rosales
FLORENCIO J. ROSALES
D/C, Structural Division

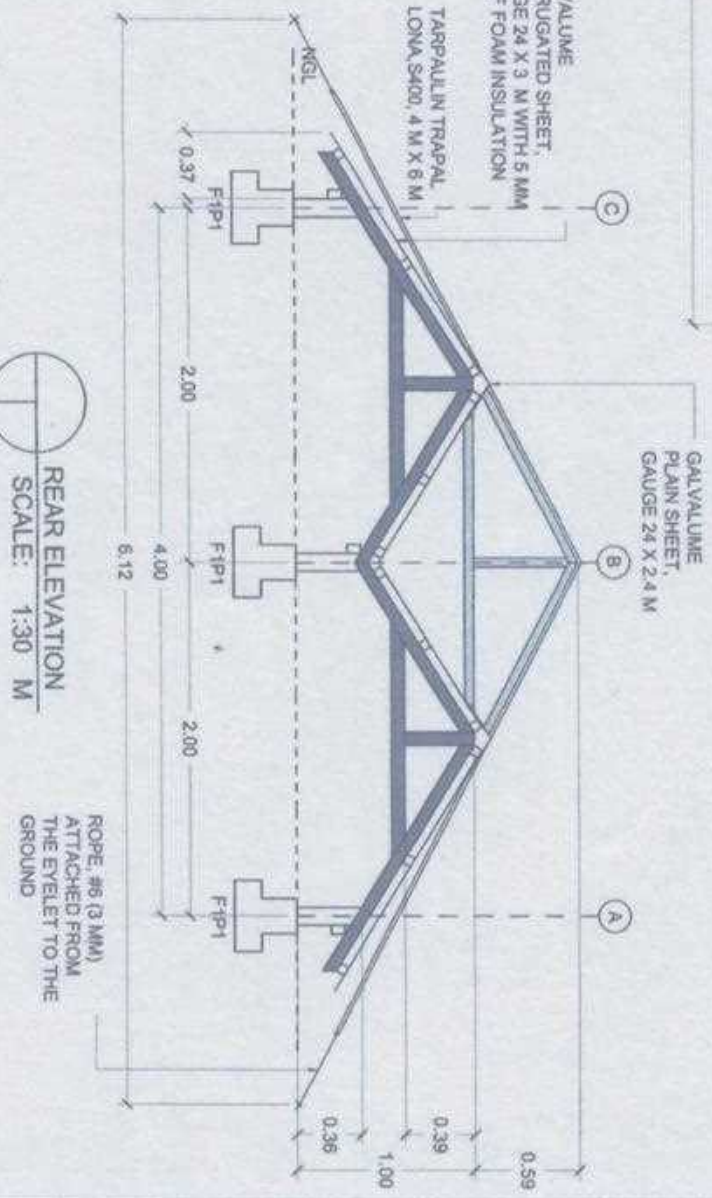
Recommending approval:
Abel F. Magas
ABEL F. MAGAS
RTD for President & Treasurer

Approved:
Engr. Ricardo M. Orate, Jr.
RICARDO M. ORATE, JR.
Regional Executive Director

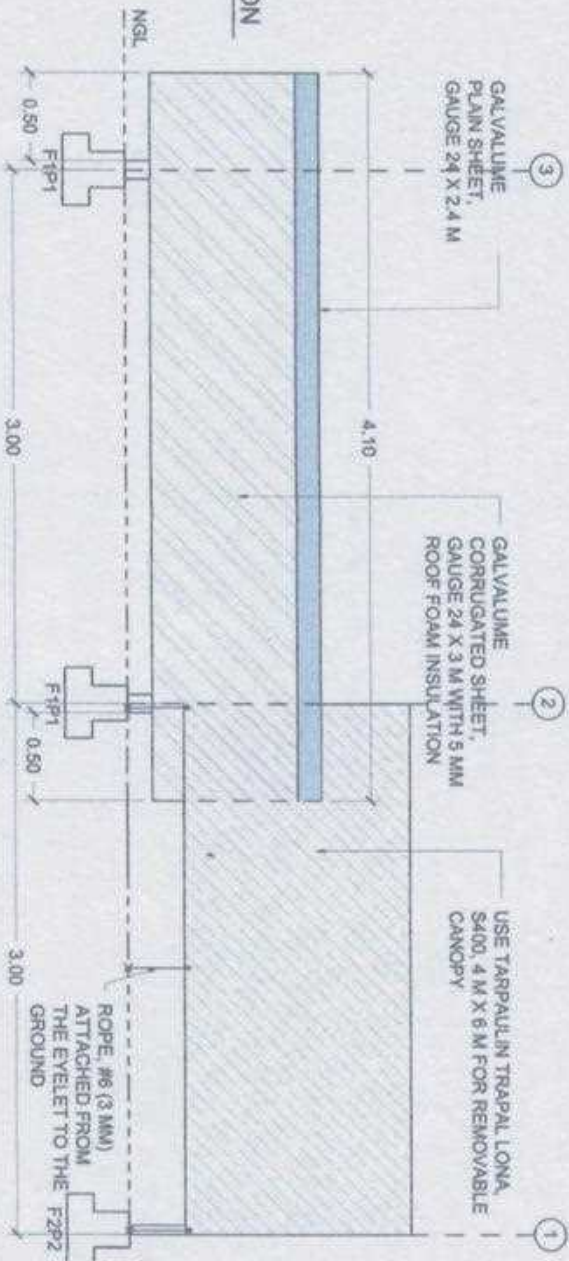
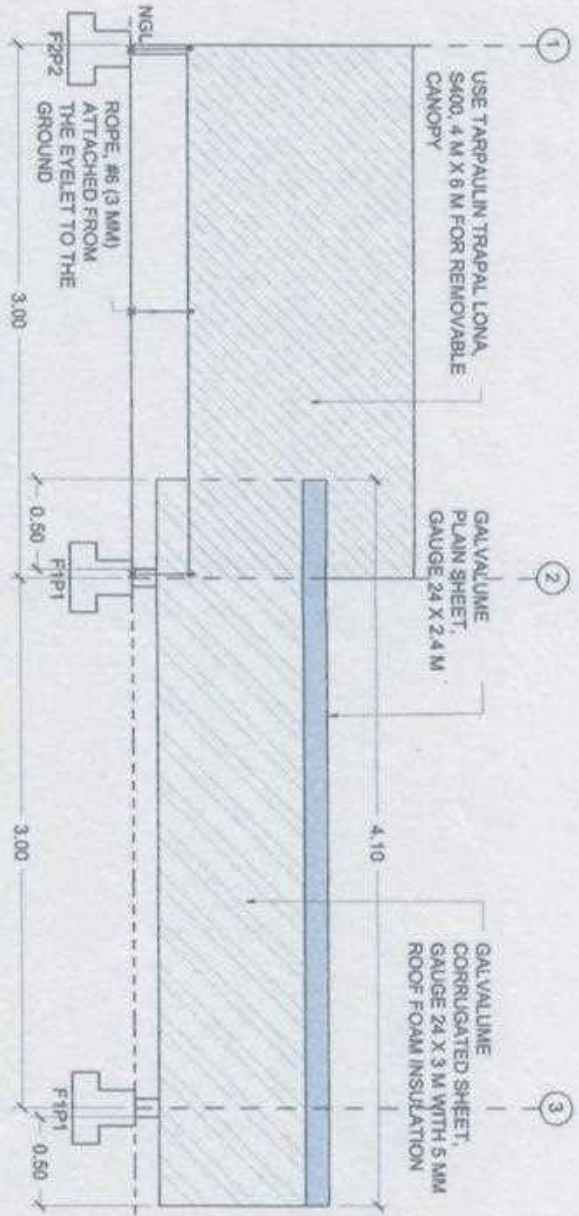
Sheet no.
3
8



NOTE:
ALL DIMENSION ARE IN METER
UNLESS OTHERWISE SPECIFIED

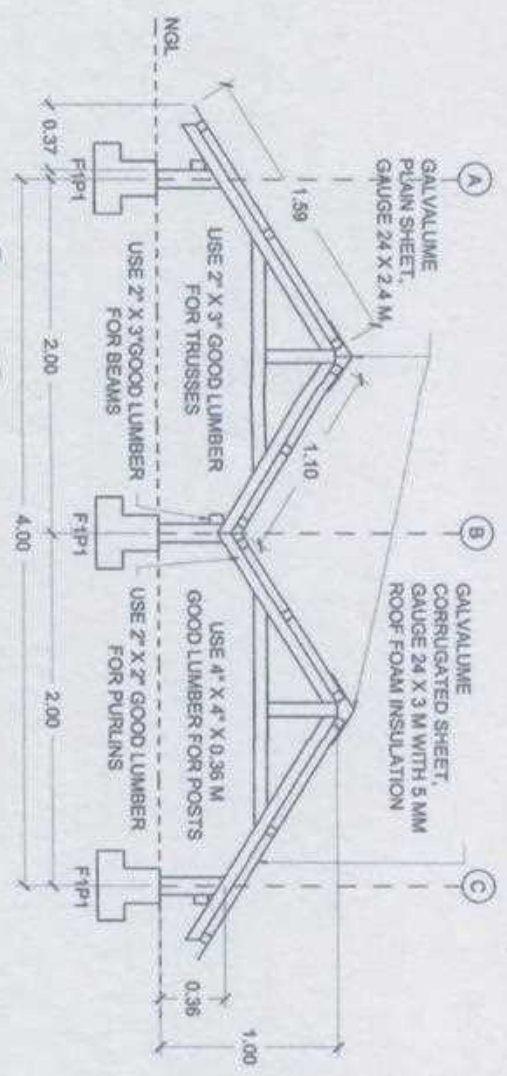


NOTE:
ALL DIMENSION ARE IN METER
UNLESS OTHERWISE SPECIFIED

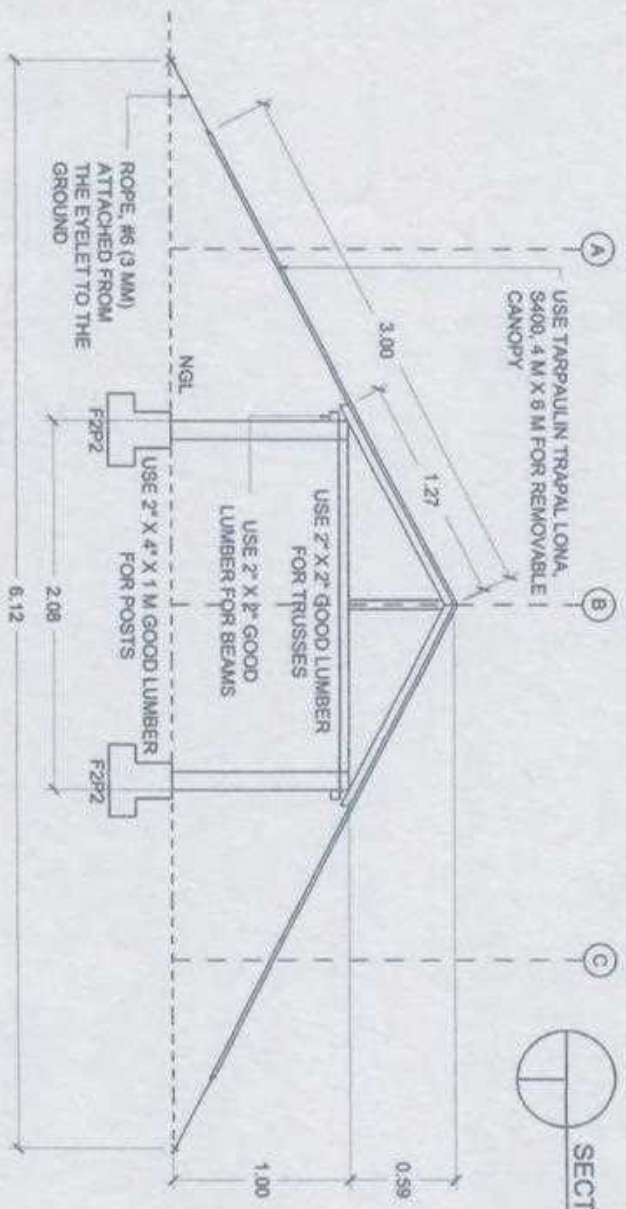


<p>Republic of the Philippines DEPARTMENT OF AGRICULTURE RFO XII, Capitol Site, Bureau City</p>	Project Title:	Prepared by:	Checked & Reviewed by:	Scheduled by:	Noted:	Recommending approval:	Approved:	Sheet No.
	CONSTRUCTION OF DUCK HOUSE Location: Talisayon, ADS & Talisayon P21	MARVIN LOPEZ C. BACALISO COS - ANS Project	THESSALYNN B. LIMAS Engineer III	ROBERTO V. SORALES Project RNED	FLORENTINO ROSALES OIC, Rehabilitation Division	ABEL F. MAGAS RTD for Rehabilitation & Regulations	RICHARDO M. ORATE, JR. Sectoral Executive Director	4 5

NOTE:
ALL DIMENSION ARE IN METER
UNLESS OTHERWISE SPECIFIED



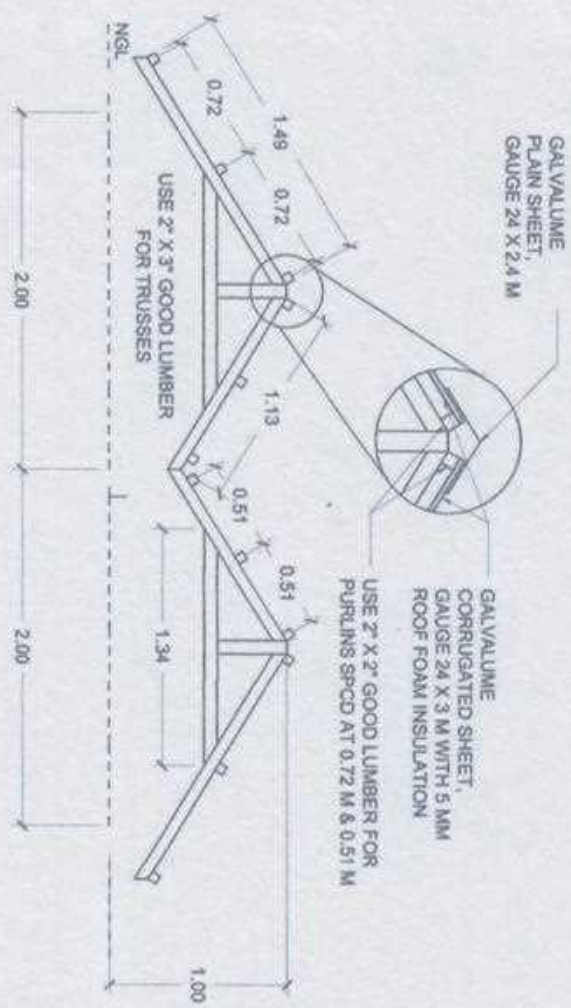
SECTION "A-A" (DUCK COOP)
SCALE: 1:30 M



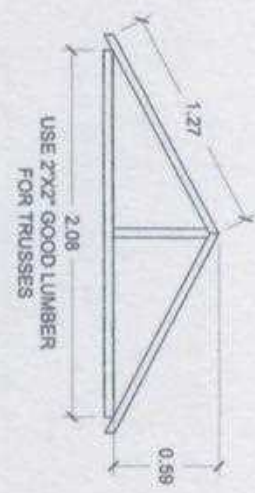
SECTION "C-C" (CANOPY)
SCALE: 1:30 M

 <p>Republic of the Philippines DEPARTMENT OF AGRICULTURE RFO XIII, Capitol Site, Diliman City</p>	Project Title:	Prepared by:	Checked & Reviewed by:	Submitted by:	Noted:	Recommending approval:	Approved:	Sheet no.
	CONSTRUCTION OF DUCK HOUSE	MARK LOPE C. BACALALO COS: AVIA Project	THOSKA LYNN B. LIMAS Engineer III	NERIE D. MORALES Civil Engr.	FLORENCE ROSALES COC, Structural Designer	ABEL F. VIGAS RTD for Remission & Specification	ENCARDO M. ORATE, JR. Assistant Executive Director	5
Location: Talisayon, ADOS 2 Division								8

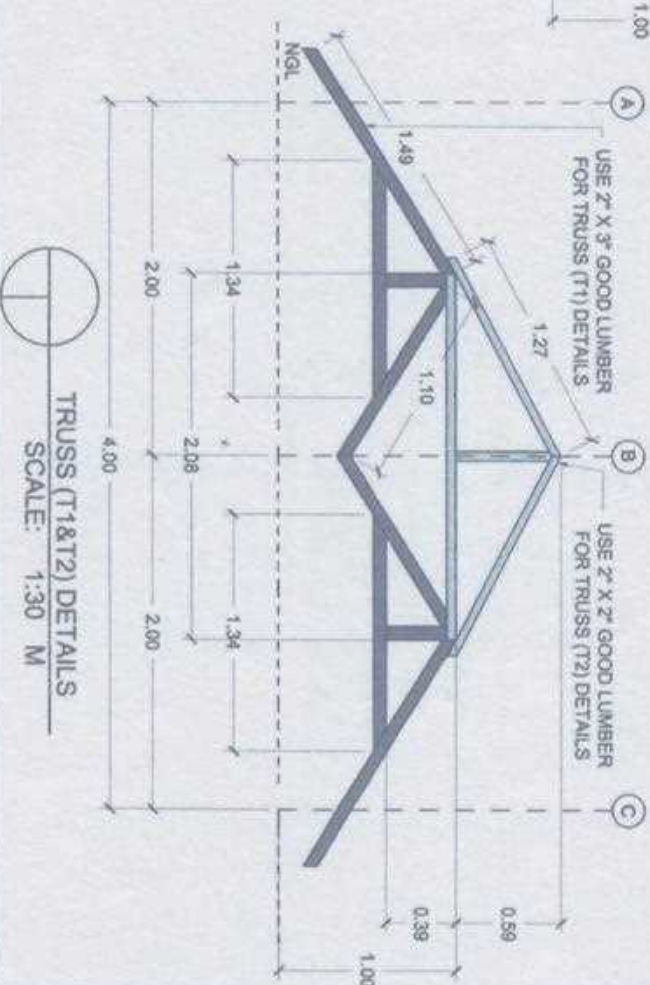
NOTE: ALL DIMENSION ARE IN METER UNLESS OTHERWISE SPECIFIED



TRUSS (T1) DETAILS
SCALE: 1:30 M



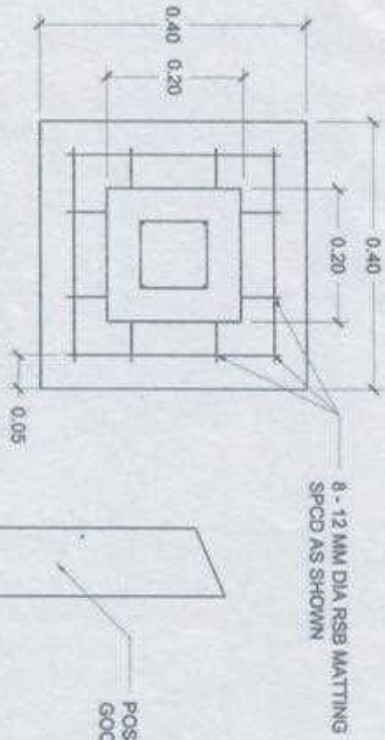
TRUSS (T2) DETAILS
SCALE: 1:30 M



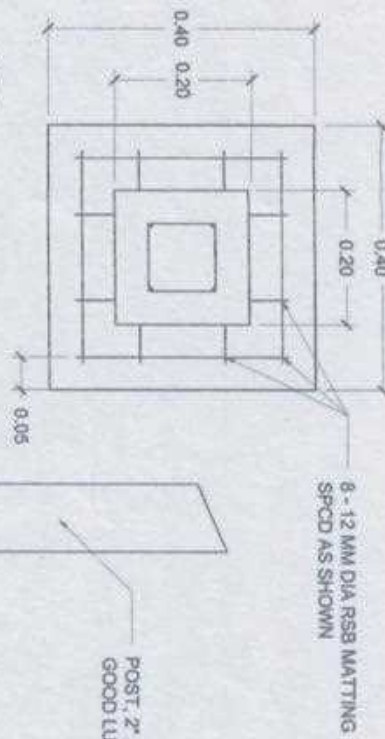
TRUSS (T1&T2) DETAILS
SCALE: 1:30 M

 Republic of the Philippines DEPARTMENT OF AGRICULTURE RFO XIII, Capitol Site, Bulacan City	Project Title:	Prepared by:	Checked & Reviewed by:	Submitted by:	Noted:	Recommending approval:	Approved:	Sheet No.
	CONSTRUCTION OF BUCK HOUSE	MARIE LOUISE C. BACALSO COS - VIVA POWER	THESSA LYN B. LIMAS Engineer III	HELEN G. ROSALES Project Lead	FLORENCE ROSALES OIC, Technical Division	ABEL F. WIGLAS RTD for Research & Development	EMERSON MAGDO M. OSMATE, JR. Assistant Executive Director	6 8
Location: Talatogon, ADOS & Talatogon	Doc							

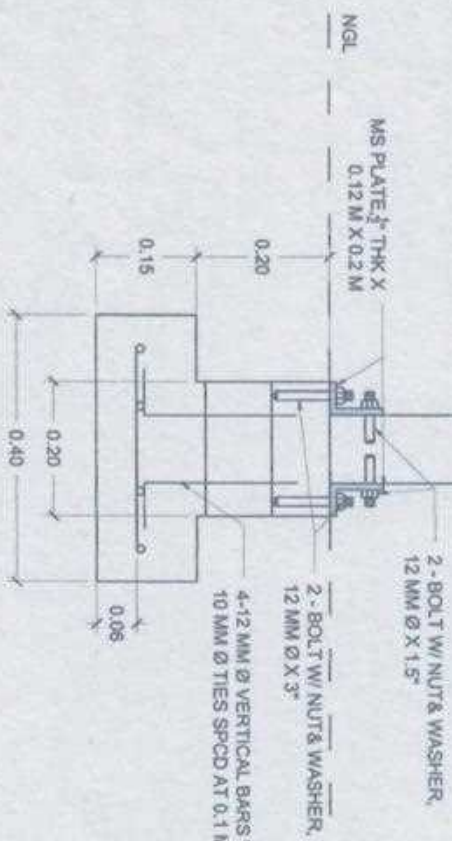
NOTE:
ALL DIMENSION ARE IN METER
UNLESS OTHERWISE SPECIFIED



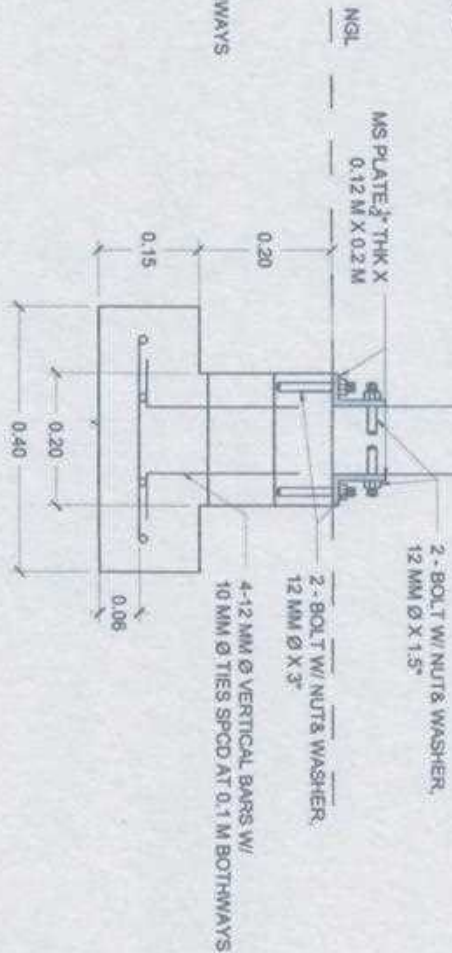
FOOTING (F1) DETAILS
SCALE: 1:8 M



FOOTING (F2) DETAILS
SCALE: 1:8 M



PEDESTAL (P1) DETAILS
SCALE: 1:8 M



PEDESTAL (P2) DETAILS
SCALE: 1:8 M



Republic of the Philippines
DEPARTMENT OF AGRICULTURE
RFO XIII, Capitol Site, Bataan City

Project Title:	CONSTRUCTION OF DUCK HOUSE	Requested by:	MARK LOUIS C. BACALALO COS - ARIA Project	Checked & Reviewed by:	THESSA LYN B. LIMAS Engineer III	Submitted by:	FRANZ D. MORALES Chief, BSED	Noted:	FLORENZA J. ROSALES OIC, Standards Division	Recommending approval:	ABEL P. VIVAS RTD for Research & Development	Approved:	ENGR. CARDO M. ORANTE, JR. Assistant Executive Director	Sheet no.	7 8
----------------	----------------------------	---------------	--	------------------------	-------------------------------------	---------------	---------------------------------	--------	--	------------------------	---	-----------	--	-----------	--------



Republic of the Philippines
DEPARTMENT OF AGRICULTURE
RFO XIII, Capitol Site, Bulacan City

Project Title:
CONSTRUCTION OF DUCK HOUSE

Prepared by:
MARIE LOUISE C. MACALISO
CGS - Arch. Project

Checked & Reviewed by:
THESSA LYN B. LIMAS
Engineer II

Submitted by:
RENE G. MORALES
CGS - Arch. Project

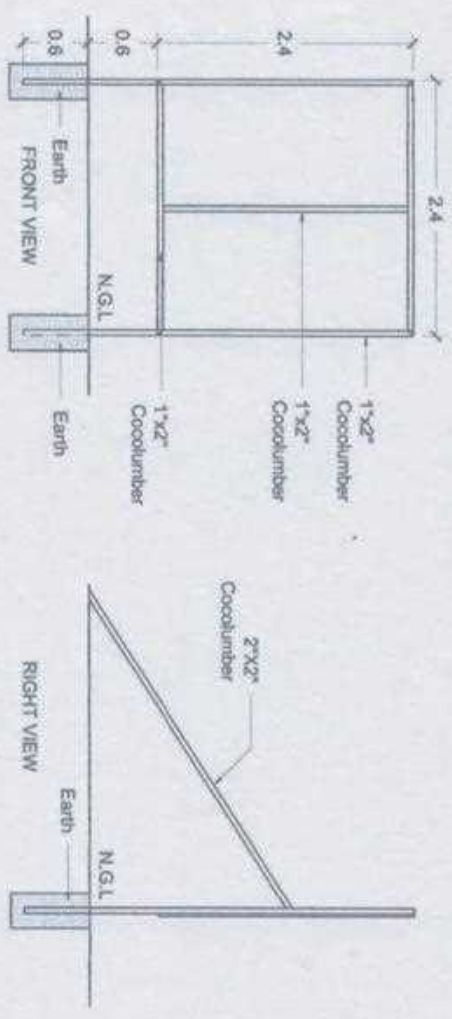
Notes:
FLORENTE A. ROSALES
OIC, Research Division

Recommending approval:
ABEL D. WAGAS
RTD for Research & Regulations

Approved:
ENGR. ARD M. ORATE, JR.
Regional Executive Director

Sheet no.
8

1 PROJECT BILLBOARD DETAILS
SCALE 1:50 MTS



Project Data		Project Status				Remarks	
Description	Serial	Target Date of Completion	Percentage of Completion	As of (Date)	Cost Incurred to Date		Date Completed
ISGD							

For tenders or consultants about this project, please contact Regional Office or Cluster which has such jurisdiction on this project.

COA Regional Office No. Cluster - XIHCABAGA
Address: SOUTH MONTILLA BOULEVARD, BULACAN CITY
Contact No. (0985) 243267 or Fax COA (Cluster) Dist. at (0915) 191952

Republic of the Philippines
DEPARTMENT OF AGRICULTURE
Capitol Site, Bulacan City
Tel. No. (0985) 2424092, Telefax No. (0985) 2424114
Fax: _____
E-mail: _____